



THURLBY THANDAR INSTRUMENTS

TF830-RS232 UNIVERSAL COUNTER

ARC REMOTE CONTROL MANUAL

CONTENTS

	Page
ARC Interface Connections	1
TF830 Address and Baud Rate Selection	2
ARC Protocol	2
TF830 Remote/Local Operation	5
TF830 Remote Commands	5
Instructions en Français	
Connexions de L'Interface ARC	7
Selection D'Adresse du TF830	8
Protocole ARC	8
TF830 Les Commandes A Distance	11
Bedienungsanleitung auf Deutsch	
ARC-Schnittstellenanschlüsse	13
TF830 Wahl von Adresse und Baudrate	14
ARC-Protokoll	14
TF830 Fernanweisungen	17
Instruziana in Italiano	
Conessioni Interfaccia ARC	19
TF830 Selezione Di Indirizzo	20
Protocollo ARC	20
TF830 Comandi Remoti	22
Instrucciones en Español	
Conexiones de Interfaz del ARC	25
Dirección del TF830	26
Protocolo del ARC	26
Comandos Remotos del TF830	29

This manual provides general information about the ARC (Addressable RS232 Chain) system plus details specific to the TF830-RS232, e.g. address and baud rate selection, commands, etc.

The TF830 Instruction Manual gives the specification, installation instructions and full details of manual operation for the TF830.

INTRODUCTION

The ARC interface allows a collection of instruments, up to a maximum of 32, to be connected to a single serial interface on a PC or other computer system. Each instrument may then be uniquely addressed so that commands for that instrument may be sent and ignored by all other instruments connected to the interface. Additionally, ARC instruments may be used on a simple RS232 interface in non-addressable mode without modification.

Available as an option is the ARCTALK software package for IBM compatible PCs. At the simplest level, ARCTALK provides realtime direct control of instruments on the ARC bus from the PC's keyboard. However, it can be used more effectively to create complete 'programs' within which several instruments can be set-up and/or measurements read-back; responses can be captured in a 'response' file for later use, eg. by another application which could, for example, generate a graph of the data.

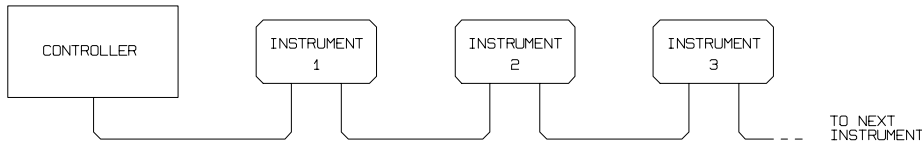
ARC INTERFACE CONNECTIONS

The 9-way D-type serial interface connector is located on the instrument rear panel. The pin connections are as shown below:

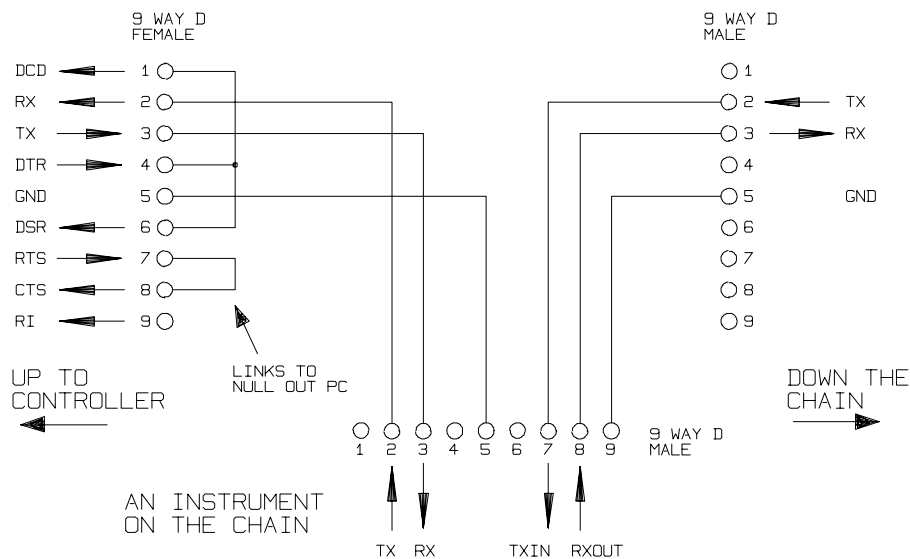
Pin	Name	Description
1	-	No internal Connection
2	TXD	Transmitted data from TF830
3	RXD	Received data to TF830
4	-	No internal connection
5	GND	Signal ground
6	-	No internal connection
7	RXD2	Secondary received data (see diagram)
8	TXD2	Secondary transmitted data (see diagram)
9	GND	Signal ground

Pins 2, 3 and 5 may be used as a conventional RS232 interface with XON/XOFF handshaking. Pins 7, 8 and 9 are additionally used when the instrument is connected to the ARC interface.

Using a simple cable assembly, a 'daisy chain' connection system between any number of instruments, up to the maximum of 32 can be made, as shown below:



The daisy chain consists of the transmit data (TXD), receive data (RXD) and signal ground lines only. There are no control/handshake lines. This makes XON/XOFF protocol essential and allows the inter-connection between instruments to contain just 3 wires. The wiring of the adaptor cable is shown below:



Addressable RS232 Chain (ARC) Wiring Scheme

All instruments on the interface must be set to the same baud rate and all must be powered on, otherwise instruments further down the daisy chain will not receive any data or commands.

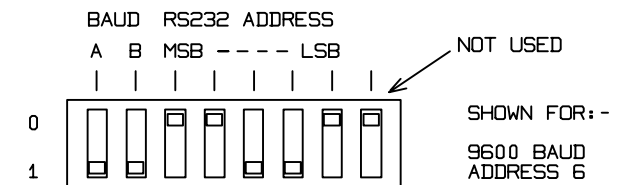
The ARC standard for the other interface parameters is as follows, and in most instruments they are fixed.

Start bits	1
Data bits	8
Parity	None
Stop bits	1

TF830 ADDRESS AND BAUD RATE SELECTION

Each instrument connected to the ARC bus must be assigned a unique address and all must be set to the same baud rate. For the TF830 the address and baud rate are selected by the set of 8 dip switches on the rear panel. The switch functions are as shown below:

BAUD	A	B
300	0	0
1200	0	1
4800	1	0
9600	1	1



ARC PROTOCOL

Protocol Specification

Because of the need for XON/XOFF handshake it is possible to send ASCII coded data only; binary blocks are not allowed. Bit 7 of ASCII codes is ignored, i.e. assumed to be low. No distinction is made between upper and lower case characters in command mnemonics and they may be freely mixed. The ASCII codes below 20H (space) are reserved for interface control.

Interface Control Codes

All instruments intended for use on the ARC bus use the following set of interface control codes. Codes between 00H and 1FH which are not listed here as having a particular meaning are reserved for future use and will be ignored. Mixing interface control codes inside instrument

commands is not allowed except as stated below for CR and LF codes and XON and XOFF codes.

When an instrument is first powered on it will automatically enter the Non-Addressable mode. In this mode the instrument is not addressable and will not respond to any address commands. This allows the instrument to function as a normal RS232 controllable device. This mode may be locked by sending the Lock Non-Addressable mode control code 04H (LNA). The controller and instrument can now freely use all 8 bit codes and binary blocks but all interface control codes are ignored. To return to addressable mode the instrument must be powered off.

To enable addressable mode after a instrument has been powered on the Set Addressable Mode control code, 02h (SAM), must be sent. This will then enable all instruments connected to the ARC bus to respond to all interface control codes. To return to Non-Addressable mode the Lock Non-Addressable mode control code must be sent which will disable addressable mode until the instruments are powered off.

Before an instrument is sent a command it must be addressed to listen by sending the Listen Address control code, 12H (LAD), followed by a single character which has the lower 5 bits corresponding to the unique address of the required instrument, e.g. the codes A-Z or a-z give the addresses 1-26 inclusive while @ is address 0 and so on. Once addressed to listen the instrument will read and act upon any commands sent until the listen mode is cancelled.

Because of the asynchronous nature of the interface it is necessary for the controller to be informed that an instrument has accepted the listen address sequence and is ready to receive commands. The controller will therefore wait for code 06H (ACK) before sending any commands, The addressed instrument will provide this ACK. The controller should time-out and try again if no ACK is received within 5 seconds.

Listen mode will be cancelled by any of the following interface control codes being received:

12H	LAD	Listen Address followed by an address not belonging to this instrument.
14H	TAD	Talk Address for any instrument.

03H	UNA	Universal Unaddress control code.
04H	LNA	Lock Non-Addressable mode control code.
18H	UDC	Universal Device Clear.

Before a response can be read from an instrument it must be addressed to talk by sending the Talk Address control code, 14H (TAD) followed by a single character which has the lower 5 bits corresponding to the unique address of the required instrument, as for the listen address control code above. Once addressed to talk the instrument will send the response message it has available, if any, and then exit the talk addressed state. Only one response message will be sent each time the instrument is addressed to talk.

Talk mode will be cancelled by any of the following interface control codes being received:

12H	LAD	Listen Address for any instrument.
14H	TAD	Talk Address followed by an address not belonging to this instrument.
03H	UNA	Universal Unaddress control code.
04H	LNA	Lock Non-Addressable mode control code.
18H	UDC	Universal Device Clear.

Talk mode will also be cancelled when the instrument has completed sending a response message or has nothing to say.

The interface code 0AH (LF) is the Universal Command and response Terminator (UCT); it must be the last code sent in all commands and will be the last code sent in all responses.

The interface code 0DH (CR) may be used as required to aid the formatting of commands; it will be ignored by all instruments. Most instruments will terminate responses with CR followed by LF.

The interface code 13H (XOFF) may be sent at any time by a listener (instrument or controller) to suspend the output of a talker. The listener must send 11H (XON) before the talker will resume sending. This is the only form of handshake control supported by ARC.

Interface Control Code List

02H	SAM	Set Addressable mode.
03H	UNA	Universal Unaddress control code.
04H	LNA	Lock Non-Addressable mode control code.
06H	ACK	Acknowledge that listen address received.
0AH	UCT	Universal Command and response Terminator.
0DH	CR	Formatting code, otherwise ignored.
11H	XON	Restart transmission.
12H	LAD	Listen Address - must be followed by an address belonging to the required instrument.
13H	XOFF	Stop transmission.
14H	TAD	Talk Address - must be followed by an address belonging to the required instrument.
18H	UDC	Universal Device Clear.

TF830 Command Formats

Serial input to the instrument is buffered in a 16 byte input queue which is filled, under interrupt, in a manner transparent to all other instrument operations. The instrument will send XOFF when approximately 8 characters are in the queue. XON will be sent when the queue has been emptied. This queue contains raw (un-parsed) data which is taken, by the parser, as required. Commands (and queries) are executed in order and the parser will not start a new command until any previous command or query is complete. There is no output queue which means that the response formatter will wait, indefinitely if necessary, until the instrument is addressed to talk and the complete response message has been sent. Due to the very short input queue available in the TF830 it is essential to read the response to any query before any new commands or queries are sent. This will ensure that a deadlock state (where the input queue is full and the TF830 is not emptying it because it is waiting to send a response) cannot occur.

Commands are sent as <PROGRAM MESSAGES> by the controller, each message consists of zero or more <PROGRAM MESSAGE UNIT> elements separated by <PROGRAM MESSAGE UNIT SEPARATOR> elements.

<PROGRAM MESSAGES> are separated by <PROGRAM MESSAGE TERMINATOR> elements which consist of the new line character (0AH).

A <PROGRAM MESSAGE UNIT SEPARATOR> is the semi-colon character ';' (3BH).

A <PROGRAM MESSAGE UNIT> is any of the commands in the following sections.

Responses from the instrument to the controller are sent as <RESPONSE MESSAGES>. A <RESPONSE MESSAGE> consists of one <RESPONSE MESSAGE UNIT> followed by a <RESPONSE MESSAGE TERMINATOR>.

A <RESPONSE MESSAGE TERMINATOR> is the carriage return character followed by the new line character (0DH 0AH). The CR character is optional and may not be sent by all instruments.

Each query produces a specific <RESPONSE MESSAGE> which is listed along with the command in the following sections.

<WHITE SPACE> is ignored except in command identifiers. e.g. 'X Z' is not equivalent to 'XZ'. <WHITE SPACE> is defined as character codes 00H to 20H inclusive with the exception of the ARC interface codes listed above.

The high bit of all characters is ignored.

The commands are case insensitive.

The command sections use the following nomenclature:

<pmt>	<PROGRAM MESSAGE TERMINATOR>.
<rmt>	<RESPONSE MESSAGE TERMINATOR>.
<n>	A single digit number.
<nrf>	A number in any format e.g. 12, 12.00, 1.2 e1 and 120 e-1 are all accepted as the number 12. Any number, when received, is converted to the required precision consistent with the use, then rounded up to obtain the value of the command.
<nr1>	A number with no fractional part, ie. an integer.
<nr2>	A number in fixed point format, e.g. 11.52, 0.78 etc.

TF830 REMOTE/LOCAL OPERATION

At power-on the instrument will be in the local state with the REMOTE LED off. In this state all front panel operations are possible. When the instrument is addressed to listen and a command is sent the remote state will be entered and the REMOTE LED will be turned on. In this state the front panel is locked out and remote commands only will be processed. The instrument may be returned to the local state by holding down the RESET key and pressing the RANGE key; however, the effect of this action will remain only until the instrument is addressed again or receives another character from the ARC interface, when the remote state will once again be entered.

TF830 REMOTE COMMANDS

Because of the use of a four bit microcontroller the command parser uses only the lower four bits of the characters sent over the serial interface. This means that many combinations of character will be accepted for each command. Only one combination is given below and this is the one that is most obvious. For example, the RESET command is R<pmt> but 2<pmt> or b<pmt> will also work. The hex value given along with each command is the four bit code which is passed to the parser. Control characters are significant in all 8 bits and do not have alternatives. Responses from the TF830 are correctly formatted as 8 bit ASCII character codes, and are terminated with CR/LF.

Note that each command is completely executed before the next command is started.

SPACE character (0h) No Operation.

The command is ignored.

R (2h) Reset.

Performs the same operation as pressing the front panel RESET key under the same conditions.

S? (3h Fh) Status Query.

Reads and returns the instrument status. The response is sent immediately, if in non-addressable mode, or when addressed to talk, if in addressable mode. The response is:-

xy<rmt>

Where x and y are numeric digits expressed in ASCII format. The first digit is the status byte and is a bit significant value in the range 0 to 7. The meaning of each bit is as follows:-

- bit 0 External standard connected.
- bit 1 An error has occurred. The error number follows.
- bit 2 Triggered. A continuously updated bit indicating that an input signal has been detected. At frequencies below 20Hz this bit may toggle and may therefore not give a reliable indication of the triggered condition.

The second byte contains the error number of the last error that occurred. The value is cleared to zero after each status query. Error numbers are as follows:-

- 0 No error has occurred since the last status query.
- 1 A command syntax error - one or more commands ignored.
- 2 Terminator missing - command ignored.

TC (4h 3h) Trigger level to centre position.
TN (4h Eh) Trigger level to negative pulse position.
TP (4h 0h) Trigger level to positive pulse position.

This group of commands are used to set the trigger level to one of the three preset positions. Centre is equivalent to the trigger level control in the mid position. Negative pulse and positive pulse are equivalent to the extreme anti-clockwise and clockwise positions, respectively, of the trigger level control. For more information on trigger level see the section on Trigger Level Control. The trigger level is set irrespective of the position of the front panel control. When remote state is first entered the trigger level is set to centre. When remote state is cleared the trigger level reverts to the setting of the front panel control.

E? (5h Fh) Every Result Query.
N? (Eh Fh) Next Result Query.
? (Fh) Current Result Query.

This group of commands return the results of measurements to the controller. The response is sent immediately, if in non-addressable mode, or when addressed to talk, if in addressable mode. The ? form

returns the display contents at the time the query is received. The N? form waits for the measurement in progress to finish then returns the display contents. The E? form is similar to the N? form except that the display contents are returned after each measurement until any new command is inserted into the input queue. In non-addressable mode the responses are sent continuously. In addressable mode one response is sent each time that the TF830 is addressed to talk. It is the 'address to talk' which selects which is the 'measurement in progress' and hence the reading returned is always as up to date as possible.

The format of the response is the same for all forms of the query and is as follows:-

xNNNNN.NNNeSEuu<rmt>

where:-

- x is the overflow digit (if zero a space is sent).
- NN.NN is the displayed answer with the decimal point in the corresponding position (9 characters).
- e is the letter e for exponent.
- S is a plus or minus sign indicating the sign of the exponent.
- E is the exponent value to give the answer in Hz or seconds (1 character).
- uu is the units specifier Hz or s_ or __. Each _ is a space (2 characters)
- <rmt> is the terminator CR LF.

If there is nothing to measure and the display is zero the response will be:-

00000000.e+0<rmt>

F<n> (6h 1h-7h) Function n.

Sets the measurement function to the number <n>. The functions are numbered from 1 to 7 from left to right as they appear on the front panel. Hence F1 will select PERIOD A, F2 will select FREQUENCY A etc. The new function is selected immediately and a new measurement is started.

- FI** (6h 9h) Filter In (on).
- FO** (6h Fh) Filter Out (off).

Sets the low pass filter in or out. The filter is set irrespective of the position of the front panel switch. When remote state is first entered the filter is set to the state corresponding to the switch position. When remote state is cleared the filter reverts to the setting of the front panel switch.

I? (9h Fh) Identify Query.

Responds with the instrument identifier. The response is sent immediately, if in non-addressable mode, or when addressed to talk, if in addressable mode. The format of the response is:-

TF830<rmt>

L (Ch) Low frequency mode.

Sets the VLF mode as described in the Instruction Manual.

M<n> (Dh 1h-3h) Measurement Time n.

Selects the measurement time to the number <n>. The measurement times are numbered from 1 to 3 from left to right as they appear on the front panel. Hence M1 will select .1s, M2 will select 1s and M3 will select 10s. The new measurement time is selected immediately and a new measurement is started.

Remote Command Summary

- R** (2h) Reset.
- S?** (3h Fh) Status Query.
- TC** (4h 3h) Trigger level to centre position.
- TN** (4h Eh) Trigger level to negative pulse position.
- TP** (4h 0h) Trigger level to positive pulse position.
- E?** (5h Fh) Every Result Query.
- N?** (Eh Fh) Next Result Query.
- ?** (Fh) Current Result Query.
- F<n>** (6h 1h-7h) Function n.
- FI** (6h 9h) Filter In (on).
- FO** (6h Fh) Filter Out (off).
- I?** (9h Fh) Identify Query.
- L** (Ch) Low frequency mode.
- M<n>** (Dh 1h-3h) Measurement Time n.
- SPACE character** (0h) No Operation.

INTRODUCTION

L'interface ARC permet la connexion d'une série d'appareils, jusqu'à un maximum de 32, à une seule interface série sur un PC ou autre système informatique; chaque appareil peut alors être adressé séparément de telle sorte que les commandes pour cet appareil peuvent être transmises et ignorées par tous les autres appareils branchés sur l'interface. De plus, les appareils ARC peuvent être utilisés sur une simple interface RS232 en mode non-adressable sans modification.

Le logiciel ARCTALK est aussi offert en option pour les PC compatibles IBM. Sous sa forme la plus simple ARCTALK fournit le contrôle direct en temps réel des appareils sur le bus ARC depuis le clavier du PC. Toutefois, il peut être utilisé de manière plus efficace pour créer des 'programmes' complets permettant la configuration de plusieurs appareils et/ou la retransmission de mesures; les réponses peuvent être capturées dans un fichier 'réponse' pour une utilisation ultérieure, par exemple par une autre application qui pourrait générer un graphique à partir des données.

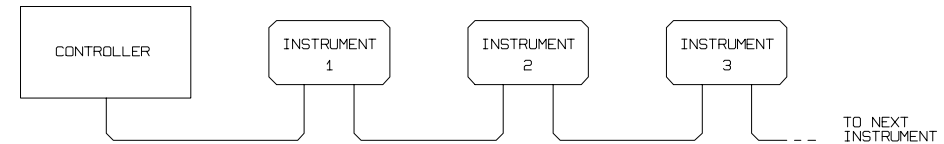
CONNEXIONS DE L'INTERFACE ARC

Le connecteur D à 9 broches de l'interface série est situé sur le panneau arrière de l'appareil. Les connexions sont les suivantes :

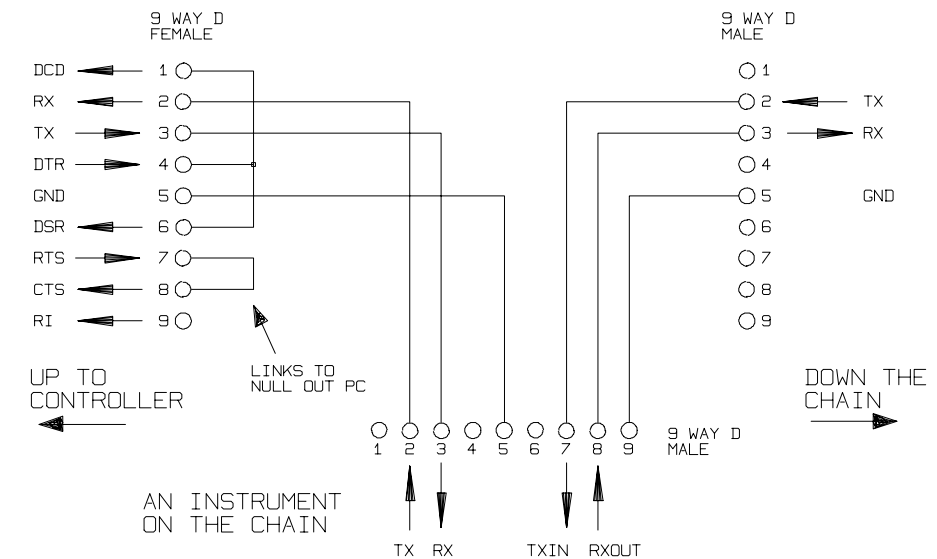
Broche	Nom	Description
1	-	Aucune connexion interne
2	TXD	Données transmises du TF830
3	RXD	Données reçues par TF830
4	-	Aucune connexion interne
5	GND	Prise de terre du système
6	-	Aucune connexion interne
7	RXD2	Données reçues secondaires (voir schéma)
8	TXD2	Données transmises secondaires (voir schéma)
9	GND	Prise de terre du système

Les broches 2, 3 et 5 peuvent être utilisées en tant qu'interface RS232 conventionnelle avec l'établissement de liaison XON/XOFF (Reprendre/arrêter transmission). Les broches 7, 8 et 9 sont aussi utilisées lorsque l'appareil est branché sur l'interface ARC.

En utilisant un assemblage de câbles simple, un système de connexion 'en chaîne bouclée' entre plusieurs appareils peut être fait, jusqu'à un maximum de 32, comme cela est indiqué ci-dessous :



La chaîne bouclée comprend les connexions transmission de données (TXD), réception de données (RXD) et prise de terre uniquement. Il n'y a pas de connexions contrôle/établissement de liaison. Ceci rend l'établissement de liaison XON/XOFF essentiel, et permet à l'interconnexion entre appareils de ne contenir que 3 fils. Le câblage du câble de l'adaptateur est indiqué ci-dessus :



Tous les appareils branchés sur l'interface doivent être mis sur la même vitesse de transmission et tous doivent être mis sous tension, sinon les appareils en aval de la chaîne bouclée ne recevront aucune donnée et aucune commande.

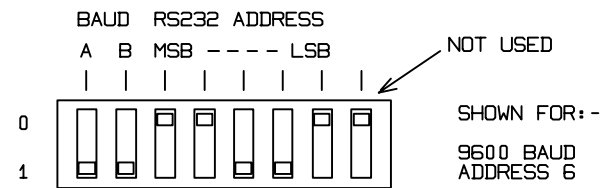
Le standard ARC pour les autres paramètres de l'interface est le suivant, et dans la plupart des appareils ceux-ci sont fixes.

Bits de départ	1
Bits de données	8
Parité	Aucune
Bits d'arrêt	1

SELECTION D'ADRESSE ET DE VITESSE DE TRANSMISSION DU TF830

Chaque appareil branché sur le bus ARC doit avoir une adresse unique et ils doivent tous être mis sur la même vitesse de transmission. Pour le TF830 l'adresse et la vitesse de transmission sont choisies par la série de 8 commutateurs DIP située sur le panneau arrière. Les fonctions des commutateurs sont indiquées ci-dessous :

BAUD	A	B
300	0	0
1200	0	1
4800	1	0
9600	1	1



PROTOCOLE ARC

Spécification du protocole

En raison de la nécessité de l'établissement de liaison XON/XOFF il n'est possible de transmettre que des données ASCII; les bloc binaires ne sont pas permis. Le bit 7 des codes ASCII est ignoré. Aucune distinction n'est faite entre les caractères majuscules et minuscules en mnémonique de commande et ils peuvent être mélangés entre eux. Les codes ASCII ci-dessous 20H (espace) sont réservés au contrôle de l'interface.

Codes de contrôle d'interface

Tous les appareils destinés à être utilisés sur le bus ARC utilisent la série de codes de contrôle d'interface ci-dessous. Les codes entre 00H et

1FH qui ne sont pas inclus dans cette liste, sont réservés à une utilisation ultérieure et seront ignorés. Il n'est pas permis de mélanger les codes de contrôle d'interface à l'intérieur des commandes d'appareils, sauf dans les cas ci-dessous pour les codes CR (retour de chariot) et LF (saut de ligne) et XON et XOFF.

Lorsqu'un appareil est allumé pour la première fois, il se mettra automatiquement en mode Non-adressable. Dans ce mode l'appareil n'est pas adressable et ne réagira à aucune commande d'adresse. Ceci permet à l'appareil de fonctionner en tant qu'appareil RS232 normal contrôlable. Ce mode peut être verrouillé en envoyant le code de contrôle 04H du mode Lock Non-adressable (LNA) (verrouillé non-adressable). Le contrôleur et l'appareil peuvent maintenant utiliser librement tous les codes 8 bits et blocs binaires mais tous les codes de contrôle d'interface sont ignorés. Pour revenir en mode adressable l'appareil doit être éteint.

Pour valider le mode adressable après qu'un appareil ait été mis en marche le code de contrôle Set Addressable Mode (Mise en mode adressable), 02H (SAM), doit être envoyé. Ceci permettra à tous les appareils connectés au bus ARC de répondre à tous les codes de contrôle d'interface. Pour revenir au mode Non-adressable le code de contrôle Lock Non-adressable doit être envoyé, celui-ci désarmera le mode adressable jusqu'à ce que les appareils soient éteints.

Avant d'envoyer une commande à un appareil celui-ci doit être mis en état d'écoute en envoyant le code de contrôle Listen Address (Adresse d'écoute) 12H (LAD), suivi d'un seul caractère qui a les 5 bits de rang inférieur correspondants à l'adresse unique de l'appareil en cause, exemple, les codes A-Z ou a-z donnent les adresses 1-26 inclus alors que @ est l'adresse 0 et ainsi de suite. Une fois mis en état d'écoute l'appareil lira et réagira à toutes les commandes envoyées jusqu'à ce le mode écoute soit annulé.

En raison de la nature asynchrone de l'interface il est nécessaire que le contrôleur soit informé qu'un appareil a accepté la séquence Listen Address et est prêt à recevoir des commandes. Le contrôleur devra donc attendre de recevoir le code 06h (ACK) (accuser réception) avant d'avoir des commandes. L'appareil adressé fournira cet ACK. Si aucun code ACK n'est reçu au bout de 5 secondes, le contrôleur doit tem-

poriser et ré-essayer. Le mode écoute sera annulé par l'un quelconque des codes de contrôle d'interface ci-dessous :

12H	LAD	Listen Address suivi d'une adresse qui n'appartient pas à cet appareil
14H	TAD	Talk Address (Adresse de dialogue) pour tout appareil
03H	UNA	Code de contrôle Universal Unaddress (Fin d'adresse universelle)
04H	LNA	Code de contrôle de mode Lock Non-addressable
18H	UDC	Universal Device Clear (Libération d'appareil universelle)

Avant qu'une réponse puisse être lue en provenance d'un appareil, celui-ci doit être mis en état de communiquer par l'envoi du code de contrôle Talk Address, 14H (TAD), suivi d'un seul caractère dont les 5 bits de rang inférieur correspondent à l'adresse unique de l'appareil en cause, comme pour le code de contrôle de l'adresse d'écoute. Une fois mis en état de communiquer l'appareil enverra le message de réponse disponible, s'il y en a, puis quittera l'état Talk Address. Un seul message de réponse sera envoyé à chaque fois que l'appareil est mis en état de dialogue.

Le mode Talk sera annulé par la réception de l'un quelconque des codes de contrôle d'interface ci-dessous:

12H	LAD	Listen Address pour tout appareil
14H	TAD	Talk Address suivi d'une adresse qui n'appartient pas à cet appareil
03H	UNA	Code de contrôle Universal Unaddress
04H	LNA	Code de contrôle de mode Lock Non-addressable
18H	UDC	Universal Device Clear

Le mode Talk sera aussi annulé lorsque l'appareil a fini d'envoyer un message de réponse ou n'a plus rien à dire.

Le code d'interface 0AH (LF) est la Commande universelle et Fin de réponse (UCT); celui-ci doit être le dernier code transmis dans toutes

les commandes et sera le dernier code transmis dans toutes les réponses.

Le code d'interface 0DH (CR) peut être utilisé selon les besoins pour aider dans le formatage des commandes; il sera ignoré par tous les appareils. La plupart des appareils termineront leurs réponses avec CR suivi de LF.

Le code d'interface 13h (XOFF) peut être transmis à tout moment par un écouteur (appareil ou contrôleur) pour suspendre le signal de sortie de l'émetteur. L'écouteur doit envoyer 11H (XON) avant que l'émetteur reprenne la transmission. Ceci est le seul type de contrôle d'établissement de liaison supporté par ARC.

Liste des codes de contrôle d'interface

02H	SAM	Set Addressable Mode
03H	UNA	Code de contrôle Universal Unaddress
04H	LNA	Code de contrôle de mode Lock Non-addressable
06H	ACK	Accusé réception du code Listen Address
0AH	UCT	Fin de commande et de réponse universel
0DH	CR	Code de formatage, ignoré autrement
11H	XON	Reprendre transmission
12H	LAD	Listen Address - doit être suivi d'une adresse qui appartient à l'appareil désiré
13H	XOFF	Arrêt de transmission
14H	TAD	Talk Address - doit être suivi d'une adresse qui appartient à l'appareil désiré
18H	UDC	Universal Device Clear

Formats de commande du TF830

L'entrée séquentielle à l'appareil est en tampon dans une file d'attente d'entrée 16 multipléts qui est remplie, avec interruption, d'une manière transparente à toutes les autres opérations de l'appareil. L'appareil transmettra XOFF lorsqu'il y a environ 8 caractères dans la file d'attente. XON sera transmis lorsque la file d'attente aura été vidée. Cette file d'attente contient des données brutes (non-analysées) qui sont prises,

par l'analyseur, selon les besoins. Les commandes (et les interrogations) sont exécutées dans l'ordre et l'analyseur ne commencera pas de nouvelle commande avant que la commande ou l'interrogation précédente n'ait été complétée. Il n'y a pas de file d'attente sortie, ce qui signifie que le formateur de réponses attendra, indéfiniment si nécessaire, jusqu'à ce que l'appareil soit en état de dialoguer et que le message de réponse complet ait été transmis. En raison de la file d'attente entrée très courte disponible avec le TF830 il est essentiel de lire la réponse à une interrogation avant de transmettre de nouvelles commandes ou interrogations. Ceci permettra d'assurer qu'aucun état de blocage ne se produise (lorsque la file d'attente entrée est complète et que le TF830, qui attend d'envoyer une réponse, ne la vide pas).

Les commandes sont envoyées sous forme de <PROGRAM MESSAGES (MESSAGES DE PROGRAMME)> par le contrôleur, chaque message comprend zéro ou plus éléments de <PROGRAM MESSAGE UNIT (UNITE DE MESSAGES DE PROGRAMME)> séparés par des éléments <PROGRAM MESSAGE UNIT SEPARATOR (SEPARATEURS D'UNITES DE MESSAGES DE PROGRAMME)>.

Les <PROGRAM MESSAGES> sont séparés par des éléments <PROGRAM MESSAGE TERMINATOR (FIN DE MESSAGES DE PROGRAMME)> qui sont le caractère de nouvelle ligne (OAH).

Un <PROGRAM MESSAGE UNIT SEPARATOR> est le point-virgule ';' (3BH).

Un <PROGRAM MESSAGE UNIT> est l'une quelconque des commandes des sections ci-dessous.

Les réponses de l'appareil au contrôleur sont envoyées sous forme de <RESPONSE MESSAGES (MESSAGES DE REponse)>. Un <RESPONSE MESSAGE> est une <RESPONSE MESSAGE UNIT (UNITE DE REponse DE MESSAGE)> suivie d'un <RESPONSE MESSAGE TERMINATOR>.

Une <RESPONSE MESSAGE TERMINATOR> est le retour de chariot suivi du caractère pour une nouvelle ligne (ODH, OAH). Le caractère CR est optionnel et n'est pas transmis par tous les appareils.

Chaque interrogation donne naissance à un <RESPONSE MESSAGE> spécifique qui est inclus dans la liste en même temps que la commande dans les sections ci-dessous.

<WHITE SPACE (ESPACE BLANC)> est ignoré sauf dans les identificateurs de commande, exemple 'X Z' n'est pas la même chose que 'XZ'. <WHITE SPACE> est défini comme des codes de caractères 00H à 20H inclus, à l'exception des codes d'interface ARC donnés ci-dessus.

Le bit de rang supérieur de tous les caractères est ignoré.

Les commandes peuvent être en majuscules ou en minuscules.

La section commande utilise la nomenclature ci-dessous :

<pmt>	<PROGRAM MESSAGE TERMINATOR>
<rmt>	<RESPONSE MESSAGE TERMINATOR>
<n>	Un chiffre
<nrf>	Un nombre dans un format quelconque ex.: 12, 12.00, 1.2 e1 et 120 e-1 sont tous acceptables pour représenter le nombre 12. Tout nombre, lorsqu'il est reçu, est converti pour obtenir la précision nécessaire à l'utilisation puis arrondi vers le haut pour obtenir la valeur de la commande.
<nr1>	Un nombre sans fractions, c'est-à-dire un nombre entier.
<nr2>	Un nombre en format point fixe, ex.: 11.52, 0.78 etc...

TF830 OPERATION A DISTANCE/LOCALE

Lors de la mise en route l'appareil sera en état d'opération locale et la REMOTE LED (DEL DISTANCE) sera éteinte. Dans cet état toutes les opérations indiquées sur le panneau avant sont possibles. Lorsque l'appareil est mis en état d'écoute et qu'une commande est transmise, l'état d'opération à distance est déclenché et la REMOTE LED s'allume. Dans cet état le panneau avant est interdit d'accès et seules les commandes à distances seront traitées. L'appareil peut être remis en état d'opération locale en maintenant enfoncée la touche RESET et en appuyant en même temps sur la touche RANGE ; toutefois, la conséquence de cette action ne durera que jusqu'au moment où l'appareil est encore adressé ou qu'il reçoit un autre caractère de l'interface ARC, à ce moment l'état d'opération à distance sera déclenché de nouveau.

TF830 LES COMMANDES A DISTANCE

En raison de l'utilisation d'un microcontrôleur 4 bits, l'analyseur de commandes n'utilise que les 4 bits de rang inférieur des caractères transmis par l'interface série. Ceci signifie que de nombreuses combinaisons de caractères seront acceptées pour chaque commande. Une seule combinaison est donnée ci-dessous, la plus évidente. Exemple, la commande RESET est R<pmt> mais 2<pmt> ou b<pmt> sont acceptables aussi. La valeur hexadécimale donnée avec chaque commande est le code à 4 bits qui est transmis à l'analyseur. Les 8 bits des caractères de contrôle sont significatifs et n'ont pas d'alternatives. Les réponses du TF830 sont correctement formatées en tant que codes de caractère ASCII 8 bits, et sont terminées par CR LF.

Il convient de noter que chaque commande est exécutée en entier avant que la commande suivante soit commencée.

Le caractère SPACE (ESPACE) (0h) Aucune Opération.

La commande est ignorée.

R (2h) RESET

Exécute la même opération que celle de la touche RESET du panneau avant, dans les mêmes conditions.

S? (3h Fh) Status Query (Interrogation d'état)

Lit et affiche l'état de l'appareil. La réponse est envoyée immédiatement, en mode non-adressable, ou mis en état de dialogue, en cas de mode adressable. La réponse est :

xy<rmt>

Où x et y sont des chiffres exprimés sous format ASCII. Le premier chiffre est le multiplet d'état et est une valeur à bits significatifs dans la gamme 0 à 7. La signification de chaque bit est la suivante :

- bit 0 Standard externe branché.
- bit 1 Occurrence d'erreur. Le numéro de l'erreur suit.
- bit 2 Déclenché. Un bit continuellement mis à jour indiquant qu'un signal d'entrée a été décelé. A des fréquences inférieures à 20Hz ce bit peut basculer et il est donc possible qu'il ne donne pas d'indication fiable de la condition déclenchée.

Le deuxième multiplet contient le numéro de la dernière erreur. La valeur est remise à zéro après chaque interrogation d'état. Les numéros d'erreur sont les suivants :

- 0 Aucune erreur n'a eu lieu depuis la dernière interrogation d'état.
- 1 Une erreur de syntaxe de commande - une ou plusieurs commandes ignorées.
- 2 Fin manquant - commande ignorée.

TC (4h 3h) Niveau de déclenchement à la position centrale.

TN (4h Eh) Niveau de déclenchement à la position d'impulsion négative.

TP (4h 0h) Niveau de déclenchement à la position d'impulsion positive.

Ce groupe de commandes est utilisé pour fixer le niveau de déclenchement sur l'une des positions pré-réglées. Le centre équivaut au contrôle de niveau de déclenchement en position centrale. L'impulsion négative et l'impulsion positive équivalent respectivement aux positions anti-horaires et horaires extrêmes du contrôle du niveau de déclenchement. Pour tout renseignement complémentaire concernant le niveau de déclenchement voir la section Contrôle du niveau de déclenchement. Le niveau de déclenchement est réglé quelque soit la position du contrôle du panneau avant. Lorsque l'opération à distance est déclenchée le niveau de déclenchement est mis au centre. Lorsque l'opération à distance est terminée le niveau de déclenchement se remet sur la position du contrôle du panneau avant.

E? (5h Fh) Every Result Query (Interrogation de chaque résultat).

N? (Eh Fh) Next Result Query (Interrogation du résultat suivant).

? (Fh) Current Result Query (Interrogation du résultat actuel).

Ce groupe de commandes transmet les mesures au contrôleur. La réponse est transmise immédiatement, en mode non-adressable, ou mis en état de dialogue, en cas de mode adressable. La forme ? renvoie le contenu de l'affichage au moment où l'interrogation est reçue. La forme N? attend que la mesure en cours soit finie puis renvoie le contenu de l'affichage. La forme E? est similaire à la forme N? sauf que le contenu de l'affichage est renvoyé après chaque mesure jusqu'à ce qu'une nouvelle commande soit introduite dans la file d'attente entrée. En mode non-adressable les réponses sont envoyées en continu. En mode

adressable une réponse est envoyée chaque fois que le TF830 est mis en état de dialogue. C'est la mise en état de dialogue qui choisit la mesure en cours et donc la mesure renvoyée est toujours la plus actuelle.

Le format de la réponse est le même pour toutes les formes de l'interrogation et est comme suit :

xNNNNN.NNNeSEuu<rmt>

où :

x est le chiffre de dépassement (si zéro un espace est transmis).
NN.NN est la réponse affichée avec la virgule décimale dans la position correspondante (9 caractères)
e est la lettre e comme 'exposant'.
S est un signe 'plus' ou 'moins' qui indique le signe de l'exposant.
E est la valeur de l'exposant pour donner la valeur en Hz ou en secondes (1 caractère).
uu est l'identificateur d'unités Hz ou s_ ou __. Chaque _ est un espace (2 caractères).
<rmt> est la fin crlf.

S'il n'y a rien à mesurer et que l'affichage est zéro la réponse sera :

_00000000.e+0__<rmt>

F<n> (6h 9h) Fonction n.

Met la fonction de mesure sur le nombre <n>. Les fonctions sont numérotées de 1 à 7 de gauche à droite comme elles apparaissent sur le panneau avant. Ainsi F1 choisira PERIOD A, F2 choisira FREQUENCY A, etc.. La nouvelle fonction est choisie immédiatement et une nouvelle mesure est commencée.

FI (6h 9h) Filter In (filtre mis).

FO (6h 9h) Filter Out (filtre éteint).

Met le filtre basse fréquence 'in' ou 'out'. Le filtre est mis quelle que soit la position du bouton du panneau avant. Lorsque l'opération à distance est déclenchée le filtre est mis sur l'état qui correspond à la position du

bouton. Lorsque l'opération à distance est terminée le filtre se remet sur la position du bouton du panneau avant.

I? (9h Fh) Identify Query (Identifier Interrogation)

Réagit avec l'identificateur d'appareil. La réponse est envoyée immédiatement, en mode non-adressable, ou lorsqu'en état de dialogue, en mode adressable. Le format de la réponse est :

TF830<rmt>

L (Ch) Mode basse fréquence.

Met le mode VLF décrit dans la section mode VLF.

M<n> (Dh 1h-3h) Temps de mesure n.

Choisit le temps de mesure <n>. Les temps de mesure sont numérotés de 1 à 3 de gauche à droite, comme ils sont affichés sur le panneau avant. Ainsi, M1 choisira .1s, M2 choisira 1s et M3 choisira 10s. Le nouveau temps de mesure est choisi immédiatement et une nouvelle mesure est commencée.

Résumé des commandes à distance

R	(2h)	Reset.
S?	(3h Fh)	Interrogation d'état.
TC	(4h 3h)	Niveau de déclenchement à la position centrale.
TN	(4h Eh)	Niveau de déclenchement à la position d'impulsion négative.
TP	(4h 0h)	Niveau de déclenchement à la position d'impulsion positive.
E?	(5h Fh)	Interrogation de chaque résultat.
N?	(Eh Fh)	Interrogation du résultat suivant.
?	(Fh)	Interrogation du résultat actuel.
F<n>	(6h 1h-7h)	Fonction n.
FI	(6h 9h)	Filtre mis.
FO	(6h Fh)	Filtre éteint.
I?	(9h Fh)	Identifier Interrogation.
L	(Ch)	Mode basse fréquence.
M<n>	(Dh 1h-3h)	Temps de mesure n.
Caractère SPACE	(0h)	Aucune opération.

EINLEITUNG

Die ARC-Schnittstelle erlaubt den Anschluß von bis zu 32 Geräten an eine einzige serielle Schnittstelle, einen PC oder ein anderes Computersystem. Jedes Gerät kann dann einzeln adressiert werden. Auf diese Weise ist es möglich, Anweisungen an ein Gerät zu senden, die von allen anderen mit der Schnittstelle verbundenen Geräten überlesen werden. Zusätzlich ist es möglich, ARC-Geräte mit einer einfachen Schnittstelle RS232 adressenlos ohne Änderung zu verwenden.

Als weitere Option steht das ARCTALK-Softwarepaket für IBM-kompatible PC zur Verfügung. Auf dem einfachsten Niveau erlaubt ARCTALK eine direkte Steuerung von Geräten in Echtzeit über den ARC-Bus von der Tastatur des PC. Diese Software kann jedoch wirksam eingesetzt werden, um vollständige Programme zu erzeugen, durch welche verschiedene Geräte eingerichtet und/oder Meßwerte zurückgeführt werden. Antwortsignale können erfaßt und in einer Datei zur späteren Verwendung abgelegt werden. Dies wäre z.B. die Verwendung der Daten zur Erzeugung eines Graphs.

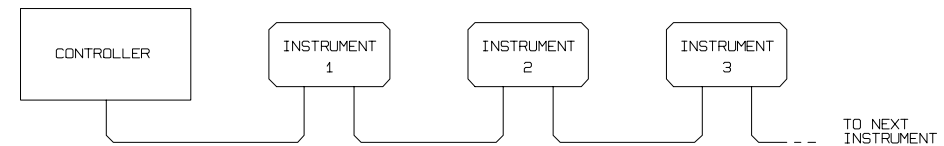
ARC-SCHNITTSTELLENANSCHLÜSSE

Der neunpolige Verbinder für die serielle Schnittstelle befindet sich auf der Rückwand des Geräts. Die Pins werden wie folgt belegt:

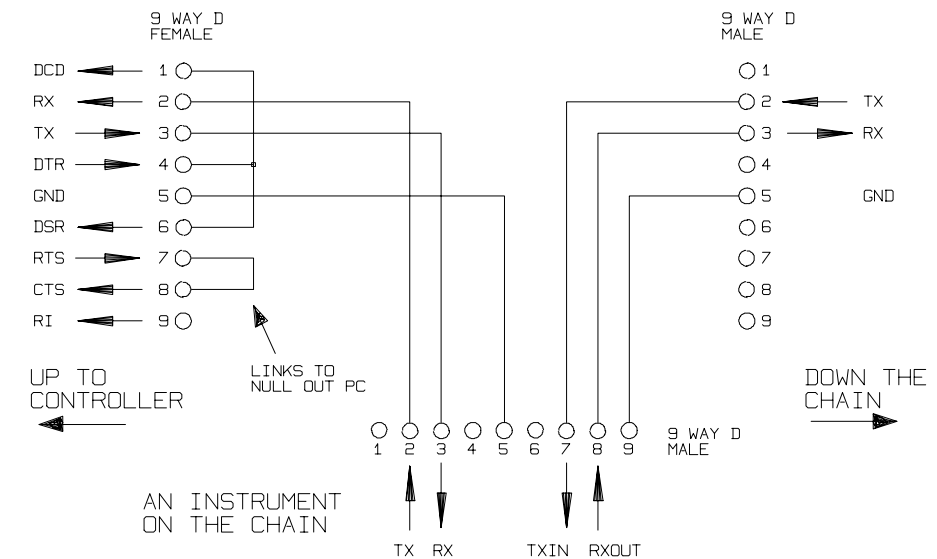
Pin	Bezeichnung	Beschreibung
1	-	Kein interner Anschluß
2	TXD	Sendedaten von TF830
3	RXD	Empfangsdaten nach TF830
4	-	Kein interner Anschluß
5	GND	Erdleitung
6	-	Kein interner Anschluß
7	RXD2	Sekundärempfangsdaten (siehe Diagramm)
8	TXD2	Sekundärsendedaten (siehe Diagramm)
9	GND	Erdleitung

Pins 2, 3 und 5 können als herkömmliche Schnittstelle RS232 für XON/XOFF-Quittungsbetrieb verwendet werden. Pins 7, 8 und 9 werden zusätzlich für den Anschluß des Geräts an die ARC-Schnittstelle verwendet.

Mit Hilfe einer einfachen Verkabelung läßt sich eine Verkettung zwischen bis zu 32 Geräten herstellen (siehe nachstehend):



Die Verkettung besteht nur aus Sendedaten (TXD), Empfangsdaten (RXD) und Erdleitungen. Es gibt keine Steuer-/Quittungsleitungen. Dies benötigt das Protokoll XON/OFF und erlaubt die Verkettung der Geräte mit nur drei Drähten. Die Verdrahtung des Anschlußkabels ist wie nachstehend:



Alle mit der Schnittstelle verbundenen Geräte sind auf dieselbe Baudrate einzustellen und einzuschalten, da sonst weiter unten in der Verkettung liegende Geräte keine Daten oder Anweisungen erhalten.

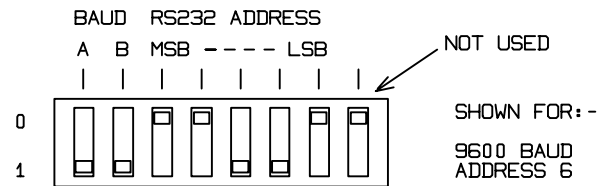
Der ARC-Standard für die anderen Schnittstellenparameter ist wie folgt und in den meisten Geräten festgelegt:

Startbit	1
Datenbits	8
Parität	Keine
Stoppbit	1

TF830 WAHL VON ADRESSE UND BAUDRATE

Jedem an den ARC-Bus angeschlossenen Gerät ist eine einmalige Adresse zuzuweisen, und alle Geräte sind auf die gleiche Baudrate einzustellen. Adresse und Baudrate für Gerät TF830 werden durch einen Satz von acht DIP-Schalter auf der Rückwand angewählt. Die Schalterfunktionen sind wie nachstehend:

BAUD	A	B
300	0	0
1200	0	1
4800	1	0
9600	1	1



ARC-PROTOKOLL

Protokollbeschreibung

Da der Quittungsbetrieb XON/XOFF notwendig ist, können nur ASCII-verschlüsselte Daten übermittelt werden. Binärblocks sind nicht zulässig. Bit 7 der ASCII-Codes wird überlesen. Zwischen Groß- und Kleinbuchstaben wird in der Befehlsmnemonik kein Unterschied gemacht. Sie können nach Belieben vermischt werden. Die ASCII-Codes unter 20H (Zwischenraum) sind für die Schnittstellensteuerung reserviert.

Schnittstellensteuercodes

Alle für den Anschluß an den ARC-Bus bestimmten Geräte verwenden den nachstehenden Satz Steuercodes. Die Codes im Bereich von 00H und 1FH sind hier nicht aufgelistet. Sie haben eine besondere, für die Zukunft reservierte Bedeutung und werden überlesen. Das Vermischen von Schnittstellensteuercodes mit den Geräteanweisungen ist nicht

zulässig. Ausnahmen sind nachstehend für die Codes CR und LF sowie die Codes XON und XOFF angegeben.

Nach dem ersten Einschalten des Geräts wird die nichtadressierbare Betriebsart automatisch aufgerufen. In dieser Betriebsart kann das Gerät nicht adressiert werden und spricht auf keine Adreßanweisungen an. Auf diese Weise arbeitet das Gerät als normale, durch RS232 steuerbare Einrichtung. Diese Betriebsart kann durch den Steuercode 04H (LNA) verriegelt werden. Dann können Steuerung und Gerät beliebig für alle 8-Bit-Codes und Binärblöcke verwendet werden, jedoch alle Schnittstellensteuercodes werden überlesen. Um das Gerät auf adressierbare Betriebsart zurückzustellen, ist es auszuschalten.

Um nach dem Einschalten des Geräts die adressierbare Betriebsart zu aktivieren, ist der Steuercode 02h (SAM) zu senden. Dieser aktiviert alle an den ARC-Bus angeschlossenen Geräte, um auf alle Schnittstellensteuercodes anzusprechen. Um auf die nichtadressierbare Betriebsart zurückzustellen, ist der Steuercode für Verriegelung der nichtadressierbaren Betriebsart zu senden; dieser deaktiviert die adressierbare Betriebsart bis zum Ausschalten der Instrumente.

Bevor eine Anweisung an ein Gerät gesendet wird, ist dies durch Senden des Steuercodes Listen Address (Empfangsadresse) - 12H (LAD) zu adressieren, dann folgt ein Einzelzeichen, dessen untere 5 Bits der einmaligen Adresse des gewünschten Geräts entsprechen, wobei die Codes A-Z oder a-z den Adressen 1-26 entsprechen, während @ die Adresse 0 ist usw. Nach dieser Adressierung ist das Gerät empfangsbereit und kann alle Anweisungen bis zum Löschen des Empfangsbetriebs durchführen.

Da die Schnittstelle asynchron arbeitet, ist es erforderlich, den Empfang der Adressierung und die Empfangsbereitschaft dem Steuerteil bekanntzugeben. Deshalb wartet der Steuerteil vor dem Senden von Anweisungen auf den Eingang des Codes 06h (ACK). Diesen Code sendet das adressierte Gerät. Wenn innerhalb 5 s kein ACK empfangen wird, sollte der Steuerteil ausschalten und die Funktion wiederholt werden.

Empfangsbereitschaft wird bei Eingang einer der nachstehenden Schnittstellensteuercode gelöscht:

12H	LAD	Listen Address (Empfangsadresse) mit einer anschließenden Adresse, die nicht zu diesem Gerät gehört.
14H	TAD	Talk Address (Sendeadresse) für jedes Gerät
03H	UNA	Steuercode Universal Unaddress (Universell ohne Adresse)
04H	LNA	Steuercode Lock Non-Addressable Mode (Nichtadressierbaren Betrieb sperren)
18H	UDC	Universal Device Clear (Universelles Gerät löschen)

Bevor ein Gerät einen Meßwert übertragen kann, ist eine Sendebereitschaft durch Eingabe des Steuercodes Talk Adress 14H (TAD) herzustellen sowie ein einzelnes Zeichen, dessen untere 5 Bits der einmaligen Adresse des gewünschten Geräts entsprechen, wie für den Steuercode für Empfangsadresse (siehe oben). Nachdem mit dieser Adresse die Sendebereitschaft des Geräts hergestellt ist, übermittelt es die anstehende Meldung und steigt aus dem Sendebereitschaftszustand aus. Bei jeder durch die Adresse hergestellten Sendebereitschaft eines Geräts wird nur eine Meldung übermittelt.

Die Sendebereitschaft wird durch den Eingang einer der nachstehenden Schnittstellensteuercodes aufgehoben:

12H	LAD	Listen Address für jedes Gerät.
14H	TAD	Talk Address mit einer anschließenden Adresse, die nicht zu diesem Gerät gehört.
03H	UNA	Steuercode Universal Unaddress
04H	LNA	Steuercode für Lock Non-Addressable Mode
18H	UDC	Universal Device Clear

Die Sendebereitschaft wird auch aufgehoben, nachdem das Gerät eine Meldung abgegeben hat oder wenn keine Meldung vorliegt.

Der Schnittstellencode OAH (LF) ist Universal Command (Universelle Anweisung) und Response Terminator (Sendeausschluß - UCT). Dies muß in allen Anweisungen als letzter Code gesendet werden und ist der letzte Code in allen empfangenen Meldungen.

Der Schnittstellencode ODH (CR) kann nach Bedarf verwendet werden, um Anweisungen zu formatieren. Dieser wird von allen Geräten überlesen. Die meisten Geräte beenden ihre Antwortmeldungen mit CR und anschließendem LF.

Der Schnittstellencode 13H (XOFF) kann jederzeit von einem empfangenen Gerät oder Steuergerät ausgesendet werden, um eine Sendung zu unterbrechen. Bevor die Sendung weiter übertragen wird, muß das empfangene Gerät den Code 11H (XON) senden. Dies ist die einzige Steuerung des Quittierbetriebs, die ARC unterstützt.

Auflistung der Schnittstellensteuercodes

02H	SAM	Set Addressable Mode
03H	UNA	Steuercode Universal Unaddress
04H	LNA	Steuercode Lock Non-Addressable Mode
06H	ACK	Acknowledge (Quittieren), daß Empfangsadresse empfangen wurde,
OAH	UCT	Universalanweisung und Meldungschluß
ODH	CR	Formatiercode (wird sonst überlesen)
11H	XON	Übermittlung neu starten
12H	LAD	Listen Address. Die dem gewünschten Gerät zugewiesene Adresse muß nachfolgen.
13H	XOFF	Übermittlung stoppen
14H	TAD	Sendeadresse. Nachstehend ist die Adresse für das erforderliche Gerät zu schreiben.
18H	UDC	Universal Device Clear

TF830 Anweisungsformate

Die serielle Eingabe an ein Gerät wird in einer Warteschlange von 16 Bytes gepuffert. Diese wird mit Unterbrechungen in einer allen anderen Geräten transparenten Weise aufgefüllt. Nachdem die Warteschlange etwa 8 Zeichen enthält, sendet das Gerät XOFF. Nach dem Entleeren der Warteschlange wird XON gesandt. Diese Warteschlange enthält Ursprungsdaten (unverarbeitete Daten), die nach Bedarf vom Parser übernommen werden. Anweisungen (und Abfragen) werden der Reihe nach verarbeitet, und der Parser beginnt keine neue Anweisung, bis die

frühere Anweisung oder Abfrage beendet ist. Es gibt keine Ausgangswarteschlange. Dies bedeutet, daß die Formatierung von Antwortmeldungen wartet, wenn nötig, unendlich lange, bis das Gerät durch Adresse sendebereit und die vollständige Antwortmeldung übermittelt wurde. Aufgrund der sehr kurzen Eingangswarteschlange des Geräts TF830 ist es notwendig, vor dem Senden von neuen Anweisungen oder Abfragen die Antwortmeldung auf einer Abfrage zu lesen. Hierdurch wird versichert, daß kein blockierter Zustand entsteht (wenn die Eingangswarteschlange voll ist und sie durch das Gerät TF830 nicht entleert wird, da es auf eine Antwortmeldung wartet).

Anweisungen werden vom Steuergerät als <PROGRAM MESSAGES (PROGRAMMELDUNGEN)> ausgegeben. Jede Meldung besteht aus Null oder mehreren <PROGRAM MESSAGE UNIT (PROGRAMMELDUNGSEINHEITEN)>, die durch <PROGRAM MESSAGE UNIT SEPARATOR (PROGRAMMELDEEINHEIT-TRENNSYMBOLE)> getrennt sind.

<PROGRAM MESSAGES> werden von <PROGRAM MESSAGE TERMINATOR> getrennt, diese bestehen aus dem Zeilenvorschubzeichen (OAH).

Ein <PROGRAM MESSAGE UNIT SEPARATOR> ist das Semikolonzeichen ";" (3BH).

Eine <PROGRAM MESSAGE UNIT> ist irgendeine der in den nachstehenden Abschnitten erwähnten Anweisungen.

Die Antwortmeldungen vom Gerät zur Steuerung werden als <RESPONSE MESSAGES (ANTWORTMELDUNGEN)> gesendet. Eine <RESPONSE MESSAGE> besteht aus einer <RESPONSE MESSAGE UNIT (ANTWORTMELDUNGSEINHEIT)> mit einem anschließenden <RESPONSE MESSAGE TERMINATOR (ANTWORTMELDUNGSSCHLUSS)>.

Ein <RESPONSE MESSAGE TERMINATOR> besteht aus einem Wagenrücklaufzeichen mit anschließendem Zeilenvorschubzeichen (ODH OAH). Das Wagenrücklaufzeichen ist wahlweise und braucht nicht von allen Geräten ausgegeben werden.

Jede Abfrage erzeugt eine besondere <RESPONSE MESSAGE>, die zusammen mit der Anweisung in den nachstehenden Abschnitten aufgelistet wird.

<WHITE SPACE (WEISSER ZWISCHENRAUM)> wird außer in Anwendungsbezeichnern überlesen. Beispiel: "X Z" ist nicht das gleiche wie "XZ". <WHITE SPACE> wird durch die Zeichencodes 00H bis 20H mit Ausnahme der oben angegebenen ARC-Schnittstellencodes definiert.

Das hohe Bit aller Zeichen wird überlesen.

Die Anweisungen werden nicht durch die Umschalttaste beeinflusst.

Die Anweisungsabschnitte verwenden die nachstehenden Benennungen:

<pmt>	<PROGRAM MESSAGE TERMINATOR>.
<rmt>	<RESPONSE MESSAGE TERMINATOR>.
<n>	Eine aus einem Zeichen bestehende Nummer.
<nrf>	Eine Nummer in beliebigem Format, z.B. 12, 12.00, 1.2 e1 und 120 e-1 werden alle als Zahl 12 akzeptiert. Nach Empfang wird jede Zahl entsprechend der für die Anwendung erforderlichen Genauigkeit umgewandelt und abgerundet, um den Anweisungswert zu erzeugen.
<nr1>	Eine Zahl ohne Bruchteil, d.h. eine Ganzzahl.
<nr2>	Eine Zahl mit Festpunktformat, z.B. 11.52, 0.78 usw.

TF830 FERN-/ORTSBETRIEB

Nach dem Einschalten des Geräts wirkt der Ortsbetrieb und die Leuchte REMOTE (FERNLEUCHTE) ist erloschen. In diesem Zustand stehen alle Funktionen der Frontplatte zur Verfügung. Wenn das Gerät auf Empfangsbereitschaft geschaltet und eine Anwendung ausgegeben wird, wirkt der Fernbetrieb und die Leuchte REMOTE leuchtet auf. In diesem Zustand ist die Frontplatte gesperrt und Fernanweisungen werden verarbeitet. Durch Niederhalten der Taste RESET (RÜCKSTELLEN) und Drücken der Taste RANGE (BEREICH) ist es möglich, auf Ortsbetrieb zurückzuschalten. Dieser wirkt jedoch nur, bis das Gerät erneut an der ARC-Schnittstelle adressiert wird oder ein Zeichen erhält. In diesem Fall wirkt erneut Fernbetrieb.

TF830 FERNANWEISUNGEN

Da ein 4-Bit-Mikroprozessor verwendet wird, benutzt der Anweisungs-Parser nur die unteren 4 Bits der über die serielle Schnittstelle ausgegebenen Zeichen. Dies bedeutet, daß viele Zeichenkombinationen für jede Anweisung akzeptiert werden. Nachstehend ist nur eine Kombination angegeben, die besonders offensichtlich erscheint. Beispiel: Die Anweisung RESET (RÜCKSTELLEN) ist R<pmt>, jedoch auch 2<pmt> oder b<pmt> können benutzt werden. Der mit jeder Anweisung ausgegebene dezimale Wert ist der 4-Bit-Code, welcher an den Parser weitergemeldet wird. Alle 8 Bits der Steuerzeichen sind bedeutsam und für diese gibt es keine Alternativen. Die Antwortmeldungen des TF830 Geräts sind korrekt als 8-Bit-ASCII-Zeichencodes formatiert und enden mit CR LF.

Es ist zu beachten, daß vor Verarbeitung der nächsten Anweisung jede Anweisung vollständig abgearbeitet sein muß.

SPACE (ZWISCHENRAUM) Zeichen (Oh) Keine Funktion.

Diese Anweisung wird überlesen.

R (2h) Rückstellen.

Bewirkt die gleiche Funktion wie das Drücken der Taste RESET auf der Frontplatte unter den gleichen Bedingungen.

S? (3h Fh) Zustandsabfrage.

Liest und quittiert den Instrumentenzustand. Die Antwortmeldung wird sofort gesendet, wenn in nichtadressierbarer Betriebsart oder bei Sendebereitschaft in adressierbarer Betriebsart. Die Antwortmeldung ist:

xy<rmt>

Hier sind x und y im ASCII-Format ausgedrückte Ziffern. Die erste Ziffer ist das Statusbyte und hat einen Bitbelegungswert von 0 bis 7. Die Bedeutung jedes Bits ist wie folgt:

- Bit 0 Externes Normal verbunden.
- Bit 1 Ein Fehler ist aufgetreten. Die Fehlernummer folgt.
- Bit 2 Ausgelöst. Dieses dauernd fortgeschriebene Bit zeigt die Erkennung eines Eingangssignals an. Bei Frequenzen unter

20 Hz kann dieses Bit kippen und gibt daher keine zuverlässige Anzeige des ausgelösten Zustands.

Das zweite Byte enthält die Fehlernummer für den zuletzt aufgetretenen Fehler. Nach jeder Zustandsabfrage wird der Wert auf Null zurückgestellt. Die Fehlernummern sind wie folgt:

- 0 Seit der letzten Zustandsabfrage ist kein Fehler aufgetreten.
- 1 Ein Einweisungssyntaxfehler - eine oder mehrere Anweisungen wurden überlesen.
- 2 Schlußzeichen fehlt - Anweisung wird überlesen.

TC (4h 3h) Auslösespannung zur mittleren Position.

TN (4h Eh) Auslösespannung zur negativen Impulsflanke.

TP (4h 0h) Auslösespannung zur positiven Impulsflanke.

Diese Anweisungsgruppe wird verwendet, um die Auslösespannung in eine der drei vorgegebenen Positionen zu setzen. Die Mitte entspricht der Triggerspannungssteuerung in mittlerer Lage. Der negative Impuls und positive Impuls sind gleichwertig und entsprechen den Lagen gegen Anschlag im Gegenuhrzeigersinn und Uhrzeigersinn der Triggerspannungsregelung. Weitere Informationen über Triggerspannung sind dem Abschnitt über Triggerspannungsregelung zu entnehmen. Die Triggerspannung wird unabhängig von der Position des Bediengeräts auf der Frontplatte gesetzt. Nach dem ersten Aufruf von Fernbetrieb wird die Triggerspannung zunächst auf Mitte gesetzt. Nach dem Löschen von Fernbetrieb wird die Triggerspannung wieder auf die Frontplatteinstellung zurückgebracht.

E? (5h Fh) Jeden Meßwert abfragen.

N? (Eh Fh) Nächsten Meßwert abfragen.

? (Fh) Bestehenden Meßwert abfragen.

Diese Anweisungsgruppe übermittelt die Meßwerte an die Steuerung. Die Antwortmeldung wird sofort abgegeben, wenn in nichtadressierbarer Betriebsart, oder falls sendebereit, wenn in adressierbarer Betriebsart. Das ? meldet den Inhalt der Anzeige zur Zeit des Eingangs der Abfrage. Das N? wartet auf eine ablaufende Messung, um dann den Inhalt der Anzeige zu übermitteln. Das E? wirkt ähnlich wie das N?, nur wird der Inhalt der Anzeige nach jeder Messung übermittelt, bis eine neue Anweisung in die Eingangswarteschlange eingesetzt wird. In

nichtadressierbarer Betriebsart gehen die Antwortmeldungen kontinuierlich aus. In adressierbarer Betriebsart wird jeweils eine Antwortmeldung nach jeder adressierten Sendebereitschaft des Geräts TF830 ausgegeben. Es ist die "adressierte" Sendebereitschaft, welche die "ablaufende Messung" wählt und deshalb entspricht der übermittelte Meßwert stets soweit wie möglich dem neuesten Zustand.

Das Format der Antwortmeldung ist das gleiche für alle Arten der Abfrage und sieht wie folgt aus:

xNNNNN.NNNeSEuu<rmt>

Wo:

- x ist die Überlaufziffer (wenn Nullabstand gesendet wurde).
- NN.NN ist der angezeigte Meßwert mit Dezimalpunkt in entsprechender Position (9 Zeichen)
- e ist der Buchstabe e als Exponent.
- S ist ein Plus- oder Minuszeichen zur Angabe des Vorzeichens des Exponenten.
- E ist der Exponentenwert zur Angabe der Meldung in Hz oder Sekunden (1 Zeichen).
- uu ist der Meßgrößenspezifizierer Hz oder s_ oder __. Jeder Strich ist ein Zwischenraum (2 Zeichen).
- <rmt> ist das Schlußzeichen CR LF.

Wenn kein Meßobjekt vorliegt und die Anzeige auf Null steht, ist die Antwortmeldung:

00000000.e+0<rmt>

F<n> (6h 1h-7h) Funktion n.

Setzt die Meßfunktion auf die Zahl <n>. Die Funktionen sind von links nach rechts, wie sie auf der Frontplatte erscheinen, mit den Nummern 1 bis 7 versehen. Daher wählt F1 PERIODE A, F2 wählt FREQUENZ A usw. Die neue Funktion wird sofort angewählt und ein neuer Meßvorgang gestartet.

- FI** (6h 9h) Filter In (ein).
- F0** (6h Fh) Filter Out (aus).

Setzt den Tiefpaßfilter auf ein oder aus. Der Filter wird unabhängig von der Lage des Schalters auf der Frontplatte gesetzt. Bei vorheriger Anwahl von Fernbetrieb wird der Filter entsprechend der Schalterposition gesetzt. Nach dem Löschen von Fernbetrieb wird der Filter wieder entsprechend der Stellung des Frontplattenschalters eingestellt.

I? (9h Fh) Bezeichnerabfrage.

Entspricht dem Gerätebezeichner. Die Antwortmeldung erfolgt sofort, wenn in nichtadressierbarem Betrieb, oder nach Adressierung auf Sendebereitschaft, wenn in adressierbarem Betrieb. Das Format der Antwortmeldung ist:

TF830<rmt>

L (Ch) Niederfrequenzbetrieb.

Wählt den VLF-Betrieb wie im Abschnitt über VLF beschrieben.

M<n> (Dh 1h-3h) Meßzeit n.

Wählt die Meßzeit auf die Zahl <n>. Die Meßzeiten tragen die Nummern 1 bis 3 von links nach rechts, wie sie auf der Frontplatte erscheinen. Somit wählt M1 0,1 s, M2 wählt 1 s und M3 wählt 10 s. Die neue Meßzeit wirkt sofort und ein neuer Meßvorgang wird eingeleitet.

Zusammenfassung der Fernanweisungen

- R** (2h) Rückstellen
- S?** (3h Fh) Zustandsabfrage
- TC** (4h 3h) Triggerspannung auf mittlere Position
- TN** (4h Eh) Triggerspannung zur negativen Impulsflanke
- TP** (4h Oh) Triggerspannung zur positiven Impulsflanke
- E?** (5h Fh) Jeden Meßwert abfragen
- N?** (Eh Fh) Nächsten Meßwert abfragen
- ?** (Fh) Anstehenden Meßwert abfragen
- F<n>** (6h 1h-7h) Funktion n
- FI** (6h 9h) Filter ein
- F0** (6h Fh) Filter aus
- I?** (9h Fh) Bezeichnerabfrage
- L** (Ch) Niederfrequenzbetrieb
- M<n>** (Dh 1h-3h) Meßzeit n
- SPACE** (Zwischenraum)-Zeichen (Oh) Keine Funktion.

INTRODUZIONE

L'interfaccia ARC consente di collegare un insieme di strumenti, fino a un massimo di 32, ad una singola interfaccia seriale su un PC o altro sistema di computer. Ciascuno strumento può quindi essere indirizzato singolarmente in modo che i comandi per detto strumento possono essere inviati o ignorati da tutti gli altri strumenti collegati all'interfaccia. Inoltre gli strumenti ARC possono essere usati su un semplice interfaccia RS232 in modo non indirizzabile senza modifiche.

E' anche disponibile come opzione il pacchetto software ARCTALK per PC compatibili IBM. Al livello più semplice, ARCTALK fornisce il controllo diretto in tempo reale degli strumenti sul bus ARC dalla tastiera del PC. Tuttavia può essere usato in modo più efficace per creare "programmi" completi, che consentono di strutturare diversi strumenti e/o rileggere le misurazioni. Le risposte possono essere catturate in un file di "risposta" per uso successivo da un'altra applicazione che per es. potrebbe generare un grafico dei dati.

CONNESSIONI INTERFACCIA ARC

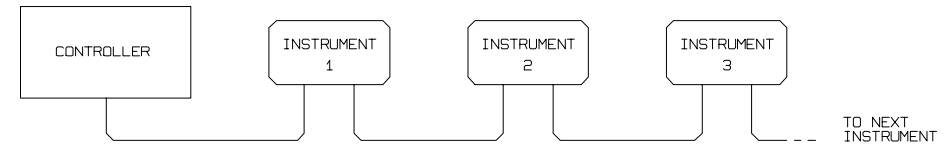
Il connettore seriale d'interfaccia tipo D a 9 piedini si trova sul pannello posteriore dello strumento. Le connessioni dei piedini sono le seguenti:

Piedino	Nome	Descrizione
1	-	Nessuna connessione interna
2	TXD	Dati trasmessi da TF830
3	RXD	Dati ricevuti a TF830
4	-	Nessuna connessione interna
5	GND	Massa segnale
6	-	Nessuna connessione interna
7	RXD2	Dati secondari ricevuti (vedere diagramma)
8	TXD2	Dati secondari trasmessi (vedere diagramma)
9	GND	Massa segnale

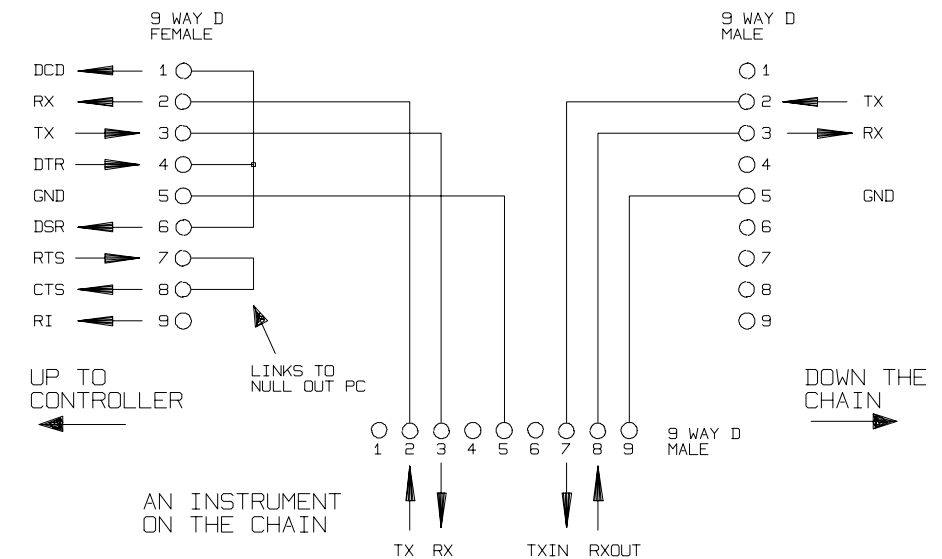
I piedini 2, 3 e 5 possono essere utilizzati come interfaccia convenzionale RS232 con "stretta di mano" XON/XOFF. I piedini 7, 8 e 9 sono utilizzati inoltre quando lo strumento è collegato all'interfaccia ARC.

Usando un semplice complessivo cavi, si può effettuare un sistema di

connessione a margherita tra molti strumenti fino a un massimo di 32 come mostrato di seguito:



La connessione consiste soltanto in linee di trasmissione dati (TXD), ricezione dati (RXD) e linee di massa di segnale. Non ci sono linee di controllo/stretta di mano. Questo rende indispensabile il protocollo XON/XOFF e consente all'interconnessione tra gli strumenti di contenere soltanto 3 fili. Il cablaggio del cavo adattatore è mostrato di seguito:



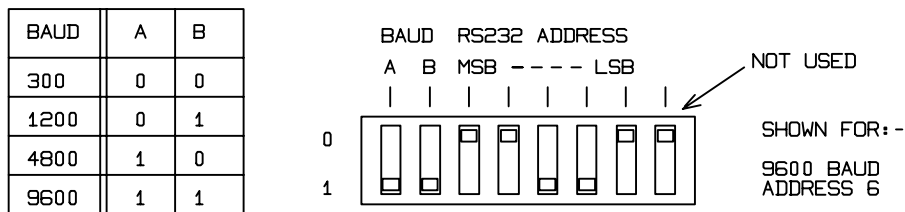
Tutti gli strumenti sull'interfaccia devono essere regolati alla stessa velocità di baud e tutti devono essere accesi, altrimenti gli strumenti più avanti nella catena a margherita non riceveranno dati o comandi.

Lo standard ARC per gli altri parametri di interfaccia è il seguente ed in molti strumenti sono fissi:

Bit di partenza	1
Bit di informazione	8
Parità	Nessuna
Bit d'arresto	1

TF830 SELEZIONE DI INDIRIZZO E VELOCITA' DI TRASMISSIONE BAUD

A ciascuno strumento collegato al bus ARC deve essere assegnato un indirizzo esclusivo e tutti devono essere regolati alla stessa velocità di baud. Per lo strumento TF830 l'indirizzo e la velocità in baud sono selezionati dalla serie di 8 interruttori a posizioni multiple sul pannello posteriore. Le funzioni degli interruttori sono mostrate di seguito:



PROTOCOLLO ARC

Specifica del protocollo

Data la necessità di "stretta di mano" XON/XOFF, è possibile inviare solo dati in codice ASCII, non sono permessi blocchi binari. Il bit 7 dei codici ASCII viene ignorato. Nelle mnemoniche di comando non si fanno distinzioni tra caratteri maiuscoli o minuscoli, che possono essere mescolati liberamente. I codici ASCII al di sotto di 20H (spazio) sono riservati per il controllo interfaccia.

Codici di controllo interfaccia

Tutti gli strumenti destinati all'impiego sul bus ARC usano la seguente serie di codici di controllo interfaccia. I codici tra 00H e 1FH che non sono elencati qui con un significato particolare, sono riservati per uso futuro e saranno ignorati. Non è permesso mescolare codici di controllo

interfaccia all'interno di comandi dello strumento tranne come indicato di seguito per codici CR e LF e codici XON e XOFF.

Quando uno strumento viene messo sotto tensione entra automaticamente nel modo Non-indirizzabile. In questo modo lo strumento non è indirizzabile e non risponderà a nessun comando di indirizzo. Ciò consente allo strumento di funzionare come un normale dispositivo RS232 controllabile. Questo modo può essere bloccato inviando il codice 04H (LNA) di controllo del modo non-indirizzabile. Il dispositivo di controllo e lo strumento possono ora usare liberamente tutti i codici a 8 bit e blocchi in binario ma i codici di controllo interfaccia sono ignorati. Per tornare al modo indirizzabile, lo strumento deve essere messo fuori tensione.

Per abilitare il modo indirizzabile dopo aver messo sotto tensione uno strumento, il codice di controllo Set Addressable Mode (Fissa il Modo Indirizzabile), 02h (SAM), deve essere inviato. Questo consentirà a tutti gli strumenti collegati al bus ARC di rispondere a tutti i codici di controllo interfaccia. Per tornare al modo Non-Addressable, deve essere inviato il codice di controllo Lock Non-Addressable, che disabilita il modo indirizzabile fino a quando gli strumenti sono messi fuori tensione.

Prima di inviare un comando, lo strumento deve essere indirizzato per ascoltare inviando il codice di controllo Listen Address 12H (LAD), seguito da un carattere singolo i cui 5 bit più bassi corrispondono all'indirizzo esclusivo dello strumento desiderato, per es. i codici A-Z o a-z danno gli indirizzi 1-26 incluso mentre @ è indirizzo 0 e così via. Una volta indirizzato per l'ascolto, lo strumento leggerà e obbedirà i comandi inviati fino a quando il modo ascolto viene cancellato.

Dato il carattere asincrono dell'interfaccia, è necessario che il controllore sia informato che uno strumento ha accettato la sequenza di indirizzo di ascolto ed è pronto per ricevere comandi. Il controllore quindi aspetterà il codice 06h (ACK) prima di mandare comandi. Lo strumento indirizzato fornirà questo ACK. Il controllore dovrebbe temporizzare e provare di nuovo se non viene ricevuto il codice ACK entro 5 secondi.

Il modo ascolto sarà cancellato quando viene ricevuto uno dei seguenti codici di controllo interfaccia:

12H LAD Listen Address (Indirizzo di ascolto) seguito da

		un indirizzo che non appartiene a questo strumento.
14H	TAD	Talk Address (Indirizzo di emissione) per qualunque strumento.
03H	UNA	Universal Unaddress (Codice di controllo universale disindirizzo).
04H	LNA	Lock Non-Addressable (Codice di controllo blocco modo non indirizzabile).
18H	UDC	Universale Device Clear (Dispositivo universale libero).

Prima di poter leggere una risposta, uno strumento deve essere indirizzato per emettere inviando il codice di controllo Talk Address 14H (TAD) seguito da un carattere singolo che ha i 5 bit più bassi corrispondenti all'indirizzo esclusivo dello strumento desiderato, come per il codice di controllo Listen Address precedente. Una volta indirizzato per emettere, lo strumento invierà il messaggio di risposta eventualmente disponibile e poi uscirà dallo stato Talk Address. Sarà inviato un solo messaggio di risposta ogni volta che lo strumento è indirizzato per emettere.

Il modo Talk sarà cancellato se viene ricevuto uno dei seguenti codici di controllo interfaccia:

12H	LAD	Listen Address per qualunque strumento.
14H	TAD	Talk Address seguito da un indirizzo che non appartiene a questo strumento.
03H	UNA	Universal Unaddress Codice di controllo.
04H	LNA	Codice di controllo modo Lock Non-Addressable.
18H	UDC	Universal Device Clear.

Il modo Talk sarà cancellato anche quando lo strumento ha completato l'invio di un messaggio di risposta o non ha niente da comunicare.

Il codice interfaccia 0AH (LF) è il comando universale e di terminazione risposta. Deve essere l'ultimo codice inviato in tutti i comandi e sarà l'ultimo codice inviato in tutte le risposte.

Il codice interfaccia 0DH (CR) può essere utilizzato come necessario per aiutare la formattazione dei comandi e sarà ignorato da tutti gli

strumenti. Molti strumenti termineranno le risposte con CR seguito da LF.

Il codice interfaccia 13H (XOFF) può essere inviato in qualunque momento da un modulo di ascolto (strumento o controllore) per sospendere l'uscita di un emettitore. L'ascoltatore deve inviare 11H (XON) prima che l'emettitore riprenda a emettere. Questa è l'unica forma di controllo di stretta di mano supportata da ARC.

Lista codici di controllo interfaccia

02H	SAM	Set Addressable Mode (Fissa modo indirizzabile).
03H	UNA	Codice di controllo Universal Unaddress.
04H	LNA	Codice di controllo modo Lock Un-Addressable.
06H	ACK	Acknowledge (Accusa ricevimento) dell'indirizzo ascolto.
0AH	UCT	Universal Command and Response Terminator (Comando universale e terminatore di risposta).
0DH	CR	Formatting Code (Codice formattazione), altrimenti ignorato.
11H	XON	Ricomincia trasmissione.
12H	LAD	Indirizzo ascolto - deve essere seguito da un indirizzo appartenente allo strumento richiesto.
13H	XOFF	Ferma trasmissione.
14H	TAD	Talk Address - deve essere seguito da un indirizzo appartenente allo strumento richiesto.
18H	UDC	Dispositivo universale libero.

Strutture dei comandi TF830

L'input seriale allo strumento è messo in memoria tampone in una coda d'attesa di input a 16 byte che è riempita, sotto interruzione, in un modo trasparente per le operazioni di tutti gli altri strumenti. Lo strumento invierà XOFF quando nella coda d'attesa ci sono circa 8 caratteri. XON sarà inviato quando la coda d'attesa è stata vuotata. Questa coda

contiene dati da trattare (non analizzati) che sono prelevati dall'analizzatore sintattico come necessario. I comandi (e le interrogazioni) sono eseguite nell'ordine e l'analizzatore non comincerà un nuovo comando fino a quando un comando o un'interrogazione precedente non sia completa. Non c'è coda d'attesa di uscita, il che significa che il programma per mettere in forma aspetterà, anche indefinitivamente se necessario, fino a quando lo strumento è indirizzato per emettere ed è stato inviato il messaggio di risposta completo. Poiché la coda di input disponibile nel TF830 è molto corta, è indispensabile leggere la risposta a un'interrogazione prima di inviare nuovi comandi o interrogazioni. Questo assicura che non si possa verificare uno stato di stallo (dove la coda d'attesa d'input è piena e il TF830 non la vuota perché aspetta di inviare una risposta).

I comandi sono inviati come <PROGRAM MESSAGES (MESSAGGI DI PROGRAMMA)> dal controllore e ciascun messaggio consiste in zero o più elementi <PROGRAM MESSAGE UNIT (UNITA' MESSAGGI DI PROGRAMMA)> separati da elementi <PROGRAM MESSAGE UNIT SEPARATOR (SEPARATORE UNITA' MESSAGGI DI PROGRAMMA)>.

I <PROGRAM MESSAGES> sono separati da elementi <PROGRAM MESSAGE TERMINATOR (PROGRAMMA TERMINATORE DI MESSAGGI)> che consistono nel carattere di salto ad una nuova linea (0AH).

Un <PROGRAM MESSAGE UNIT SEPARATOR> è il carattere punto e virgola ';' (3BH).

Un <PROGRAM MESSAGE UNIT> è uno dei comandi nelle sezioni che seguono.

Le risposte dallo strumento al controllore sono inviate come <RESPONSE MESSAGES (MESSAGGI DI RIPOSTA)>. Un <RESPONSE MESSAGE> è formato da un <RESPONSE MESSAGE UNIT (UNITA' MESSAGGI DI RIPOSTA)> seguito da un <RESPONSE MESSAGE TERMINATOR (TERMINATORE DI MESSAGGI DI RIPOSTA)>.

Un <RESPONSE MESSAGE TERMINATOR> è il carattere ritorno del carrello seguito dal carattere di salto ad una nuova linea (0DH 0AH). Il carattere CR (ritorno del carrello) è facoltativo e può darsi che non venga inviato da tutti gli strumenti.

Ogni interrogazione produce un <RESPONSE MESSAGE> specifico che è elencato insieme al comando nella sezioni che seguono.

<WHITE SPACE (SPAZIO VUOTO)> è ignorato tranne che negli identificatori di comandi. Per es. 'X Z' non è equivalente a 'XZ'. <WHITE SPACE> è definito come codici di caratteri compresi tra 00H e 20H, ad eccezione dei codici di interfaccia ARC elencati in precedenza.

Il bit alto di tutti i caratteri è ignorato.

I comandi utilizzano sia lettere maiuscole che minuscole.

Le sezioni dei comandi utilizzano la seguente nomenclatura:

<pmt>	<PROGRAM MESSAGE TERMINATOR>
<rmt>	<RESPONSE MESSAGE TERMINATOR>
<n>	Un numero a cifra singola.
<nrf>	Un numero in qualunque formato, per es. 12, 12.00, 1.2 e1 e 120 e-1 sono accettati come numero 12. Qualunque numero, quando viene ricevuto, è convertito alla precisione necessaria consistente con l'utilizzo e viene poi arrotondato al numero intero superiore per ottenere il valore del comando.
<nr1>	Un numero senza frazione, cioè un numero intero.
<nr2>	Un numero in formato a punto fisso, per es. 11.52, 0.78, ecc.

TF830 FUNZIONAMENTO REMOTO/LOCALE

Quando è messo in tensione, l'apparecchio sarà nello stato locale con il LED REMOTE (REMOTO) spento. In questo stato sono possibili tutte le operazioni sul pannello anteriore. Quando lo strumento è indirizzato per l'ascolto e viene inviato un comando, lo stato remoto sarà raggiunto ed il LED REMOTE sarà acceso. In questo stato il pannello anteriore è escluso e saranno elaborati soltanto i comandi remoti. Lo strumento può essere riportato allo stato locale tenendo premuto il tasto RESET (RIPRISTINO) e premendo il tasto RANGE (GAMMA). Tuttavia l'effetto di questa azione rimarrà valido soltanto fino a quando lo strumento viene

indirizzato di nuovo o riceve un altro carattere dall'interfaccia ARC: a questo punto lo stato remoto sarà raggiunto di nuovo.

TF830 COMANDI REMOTI

Dato l'impiego di un microcontrollore a quattro bit, l'analizzatore sintattico dei comandi usa solo i quattro bit più bassi dei caratteri inviati tramite l'interfaccia seriale. Ciò significa che saranno accettate molte combinazioni di caratteri per ciascun comando. Di seguito è indicata una sola combinazione ed è quella più ovvia. Per esempio, il comando RESET è R<pmt> ma saranno accettati anche 2<pmt> o b<pmt>. Il valore esadecimale fornito con ciascun comando è il codice di quattro bit che viene passato all'analizzatore sintattico. I caratteri di controllo sono significativi in tutti gli 8 bit e non hanno alternative. Le risposte dal TF830 sono formattate correttamente come codici di caratteri ASCII a 8 bit e sono terminate con CR LF.

Si tenga presente che ciascun comando viene eseguito completamente prima che venga iniziato il comando successivo.

Carattere SPACE (SPAZIO) (0h) Nessuna operazione.

Il comando è ignorato.

R (2h) Ripristino.

Esegue la stessa operazione di quando si preme il tasto RESET sul pannello anteriore nelle stesse condizioni.

S? (3h Fh) Interrogazione di stato.

Legge e segnala lo stato dello strumento. La risposta è inviata immediatamente, se è nel modo non indirizzabile, o quando è indirizzato per emettere, se è nel modo indirizzabile.

La risposta è:

xy<rmt>

Dove x e y sono cifre numeriche espresse in formato ASCII. La prima cifra è il byte di stato ed è un valore significativo di bit nella gamma tra 0 e 7. Il significato di ciascun bit è come segue:

bit 0 Standard esterno collegato.

bit 1 Si è verificato un errore. Segue il numero di errore.

bit 2 Scattato. Un bit continuo aggiornato indicante che è stato rilevato un segnale di input. A frequenze inferiori a 20 Hz questo bit può oscillare e di conseguenza potrebbe fornire un'indicazione non affidabile della condizione.

Il secondo byte contiene il numero di errore dell'ultimo errore che si è verificato. Il valore è riportato a zero dopo ciascuna interrogazione di stato. I numeri di errore sono i seguenti:

0 Non si è verificato nessun errore dopo l'ultima interrogazione di stato

1 Un errore di sintassi del comando - uno o più comandi ignorati.

2 Mancanza di carattere finale - il comando è ignorato.

TC (4h 3h) Livello trigger alla posizione centrale.

TN (4h Eh) Livello trigger alla posizione impulso negativo.

TP (4h 0h) Livello trigger alla posizione impulso positivo.

Questo gruppo di comandi è utilizzato per regolare il livello trigger su una delle tre posizioni prestabilite. Il centro equivale al controllo di livello trigger nella posizione centrale. Impulso negativo e impulso positivo equivalgono alle posizioni estreme in senso antiorario e orario rispettivamente del controllo livello trigger. Per altre informazioni sul livello trigger vedere la sezione relativa a Controllo livello trigger. Il livello trigger è fissato indipendentemente dalla posizione del controllo sul pannello anteriore. Quando si raggiunge per la prima volta lo stato remoto, il livello trigger è regolato su centro. Quando si esce dallo stato remoto, il livello trigger torna alla regolazione del controllo sul pannello anteriore.

E? (5h Fh) Interrogazione ogni risultato.

N? (Eh Fh) Interrogazione risultato successivo.

? (Fh) Interrogazione risultato corrente.

Questo gruppo di comandi comunica i risultati delle misurazioni al controllore. La risposta è inviata immediatamente, se nel modo non indirizzabile o quando è indirizzato per emettere, se nel modo indirizzabile. La forma ? comunica il contenuto del display al momento in cui viene ricevuta l'interrogazione. La forma N? aspetta che finisca la misurazione in corso e poi comunica il contenuto del display. La forma E? è simile alla forma N?, ma il contenuto del display è comunicato dopo ciascuna misurazione fino a quando viene inserito un nuovo comando

nella coda di input. Nel modo non indirizzabile, le risposte sono inviate in continuazione. Nel modo indirizzabile, una risposta è inviata ogni volta che il TF830 è indirizzato per emettere. E' "address to talk" che sceglie quale è la 'misurazione in corso' e pertanto la lettura comunicata è sempre la più aggiornata possibile.

Il formato della risposta è uguale per tutte le forme di interrogazione ed è come segue:

xNNNNN.NNNeSEuu<rmt>

dove:

x è la cifra di superamento della capacità (se zero è inviato uno spazio).

NN.NN è la risposta visualizzata con il punto decimale nella posizione corrispondente (9 caratteri).

e è la lettera e per esponente.

S è un segno più o meno che indica il segno dell'esponente.

E è il valore dell'esponente per dare una risposta in Hz o secondi (1 carattere).

uu è lo specificatore di unità Hz o s_o_ _ . Ciascun _ è uno spazio (2 caratteri).

<rmt> è il carattere finale CR LF.

Se non c'è niente da misurare ed il display è zero, la risposta sarà:

00000000.e+0 _<rmt>

F<n> (6h 1h-7h) Numero funzione.

Regola la funzione di misurazione al numero <n>. Le funzioni sono numerate da 1 a 7 da sinistra a destra, come compaiono sul pannello anteriore. Quindi F1 selezionerà PERIOD A (PERIODO A), F2 selezionerà FREQUENCY A (FREQUENZA A), e così via. La nuova funzione è selezionata immediatamente ed una nuova misurazione comincia.

FI (6h 9h) Filtro In (inserito).

FO (6h Fh) Filtro Out (disinserito).

Inserisce o disinserisce il filtro passa basso. Il filtro è regolato indipendentemente dalla posizione dell'interruttore sul pannello anteriore.

Quando si entra per la prima volta nello stato remoto, il filtro è regolato allo stato corrispondente alla posizione dell'interruttore. Quando si esce dallo stato remoto, il filtro torna alla regolazione dell'interruttore sul pannello anteriore.

I? (9h Fh) Interrogazione identificazione.

Risponde con l'identificatore dello strumento. La risposta è inviata immediatamente, se nel modo non indirizzabile, o quando è indirizzato per emettere, se nel modo indirizzabile. Il formato della risposta è:

TF830<rmt>

L (Ch) Modo bassa frequenza.

Regola il modo VLF come descritto nella sezione Modo VLF.

M<n> (Dh 1h-3h) Tempo misurazione n.

Seleziona il tempo di misurazione al numero <n>. I tempi di misurazione sono numerati da 1 a 3 da sinistra a destra come compaiono sul pannello anteriore. Pertanto M1 selezionerà .1s, M2 selezionerà 1 s ed M3 selezionerà 10 s. Il nuovo tempo di misurazione è selezionato immediatamente ed una nuova misurazione comincia.

Sommario comando remoto

R (2h) Ripristino.

S? (3h Fh) Interrogazione di stato.

TC (4h 3h) Livello trigger alla posizione centrale.

TN (4h Eh) Livello trigger alla posizione impulso negativo.

TP (4h 0h) Livello trigger alla posizione impulso positivo.

E? (5h Fh) Interrogazione ogni risultato.

N? (Eh Fh) Interrogazione risultato successivo.

? (Fh) Interrogazione risultato corrente.

F<n> (6h 1h-7h) Funzione n.

FI (6h 9h) Filtro inserito.

FO (6h Fh) Filtro disinserito.

I? (9h Fh) Interrogazione identificazione.

L (Ch) Modo bassa frequenza.

M<n> (Dh 1h-3h) Tempo misurazione n.

Carattere **SPACE** (0h) Nessuna operazione.

INTRODUCCIÓN

El interfaz ARC permite que una colección de instrumentos, hasta un máximo de 32, puedan ser conectados a un interfaz en serie único en un PC u otro sistema de computadora; cada instrumento puede ser direccionado únicamente de modo que los comandos para ese instrumento puedan ser enviados e ignorados por los otros instrumentos conectados al interfaz. Además, los instrumentos ARC pueden usarse en un interfaz RS232 simple en una modalidad no-direccionable sin modificaciones.

También existe, de forma opcional, un paquete de software ARCTALK para PCs compatibles con IBM. Al nivel más básico, ARCTALK proporciona control directo en tiempo real de los instrumentos en el bus ARC desde el teclado del PC. Este puede usarse más efectivamente, sin embargo, para crear 'programas' completos dentro de los cuales varios instrumentos pueden prepararse y/o mediciones vueltas a leer; las respuestas pueden capturarse en un archivo de 'respuestas' para uso posterior, p.ej. por otra prestación que pudiera generar gráficos con los datos.

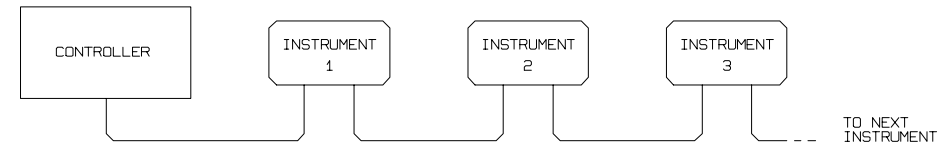
CONEXIONES DE INTERFAZ DEL ARC

El conector de interfaz en serie tipo D de 9 posiciones está ubicado en el panel trasero del instrumento. Las conexiones de los pines figuran como sigue:

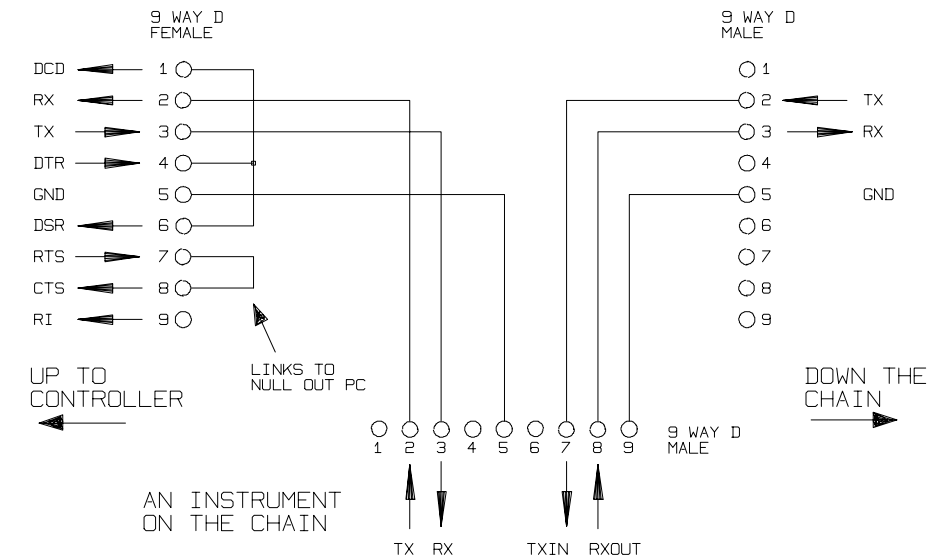
Pin	Nombre	Descripción
1	-	Sin Conexión Interna
2	TXD	Datos transmitidos por el TF830
3	RXD	Datos recibidos por el TF830
4	-	Sin conexión interna
5	GND	Señal de tierra
6	-	Sin conexión interna
7	RXD2	Datos secundarios recibidos (ver diagrama)
8	TXD2	Datos secundarios transmitidos (ver diagrama)
9	GND	Señal de tierra

Los pines 2, 3 y 5 pueden usarse como un interfaz RS232 convencional con acuso de conexión XON/XOFF. Los pines 7, 8 y 9 se usan adicionalmente cuando el instrumento está conectado al interfaz ARC.

Utilizando un montaje de cables simple, se puede efectuar un sistema de conexión "en guirnalda" entre toda cantidad de instrumentos, hasta un máximo de 32, como se muestra abajo:



La conexión en guirnalda consiste en los datos transmitidos (TXD), datos recibidos (RXD) y las líneas de señal de tierra solamente. No existen líneas de control/ conexión en guirnalda. Esto hace que el protocolo XON/XOFF sea esencial y permite que la interconexión de los instrumentos posea sólo 3 cables. El cableado del cable adaptador se muestra abajo:



Todos los instrumentos en el interfaz deben ajustarse a la misma velocidad de baudios y deben estar alimentados, ya que si no los instrumentos sucesivos en la guirnalda no recibirán datos ni comandos.

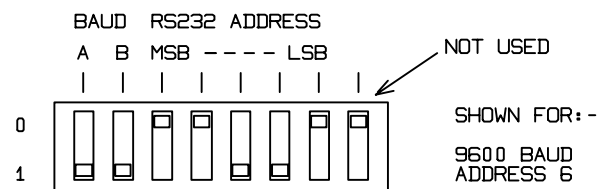
El estándar del ARC para los otros parámetros de interfaz es como sigue, y en la mayoría de los instrumentos está fijo.

Bits de Inicio	1
Bits de Datos	8
Paridad	ninguna
Bits de Parada	1

DIRECCION Y SELECCION DE VELOCIDAD DE BAUDIOS DEL TF830

Cada instrumento conectado al bus del ARC debe asignarse a una sola dirección y todos deben ajustarse a la misma velocidad de baudios. En el TF830 la dirección y la velocidad de baudios se eligen mediante el juego de 8 interruptores 'dip' del panel trasero. Las funciones de los interruptores figuran abajo:

BAUD	A	B
300	0	0
1200	0	1
4800	1	0
9600	1	1



PROTOCOLO DEL ARC

Especificación del Protocolo

Debido a la necesidad del acuso de conexión XON/XOFF es posible enviar solamente datos codificados en ASCII; bloques binarios no están permitidos. El bit 7 de los códigos ASCII es ignorado. No se distingue entre los caracteres mayúsculos o minúsculos para los comandos mnemónicos y se los puede mezclar libremente. Los códigos ASCII inferiores al 20H (espacio) están reservados para el control del interfaz.

Códigos de Control del Interfaz

Todos los instrumentos supuestos a ser usados en el bus del ARC emplean el juego siguiente de códigos para control del interfaz. Los códigos entre 00H y 1FH que no están listados por un significado particular están reservados para su uso futuro y serán ignorados. La mezcla de códigos de control del interfaz dentro de los comandos para el instrumento no está permitida salvo en el caso de abajo para los códigos CR y LF y los XON y XOFF.

Al conectar inicialmente a un instrumento, éste adopta automáticamente la modalidad No-Direccionable. En esta modalidad el instrumento no es direccionable y no responderá a ningún comando de dirección. Esto permite que el instrumento funcione como un dispositivo RS232 controlable normal. Este modo puede bloquearse enviando el código de control Bloqueo de Modalidad No-Direccionable 04H (LNA). El controlador y el instrumento pueden usar entonces los códigos de 8 bits y los bloques binarios libremente, ignorando todos los códigos de control del interfaz. Para volver a la modalidad de direccionamiento los instrumentos deben desconectarse.

Para activar el modo de direccionamiento después de conectar a un instrumento, se debe enviar el código de control Establecer Modalidad Direccionable 02H (SAM). Esto permitirá que todos los instrumentos conectados al bus ARC respondan a todos los códigos de control del interfaz. Para volver a la modalidad No-Direccionable se debe enviar el código de control Bloqueo de Modalidad No-Direccionable, el cual desactivará la modalidad direccionable hasta que se desconecten los instrumentos.

Antes de enviar un comando a un instrumento éste debe direccionarse para escuchar enviando el código de control Dirección Escuchar, 12H (LAD), seguido por un carácter único que posea los 5 bits inferiores que corresponden a la dirección única del instrumento requerido, o sea, los códigos A-Z o a-z dan las direcciones de 1-26 inclusives mientras que @ es la dirección 0 etc. Una vez que el instrumento esté direccionado para escuchar, éste podrá leer y acarrear los comandos enviados hasta que se cancele la modalidad escuchar.

Por la característica asíncrona del interfaz es necesario informar al controlador que el instrumento ha aceptado la secuencia de dirección escuchar y está listo para recibir comandos. El controlador esperará, por lo tanto, al código 06H (ACK) antes de mandar comandos. El instrumento direccionado proporcionará este ACK. El controlador tomará un intervalo y volverá a intentar de nuevo si no recibe el ACK dentro de 5 segundos.

La modalidad Escuchar será cancelada al recibir cualquiera de los códigos de control de interfaz siguientes:

12H	LAD	Listen Address (Dirección Escuchar) seguida por una dirección que no le pertenece al instrumento.
14H	TAD	Talk Address (Dirección Hablar) para cualquier instrumento.
03H	UNA	Código de control Universal Unaddress (Indireccional Universal).
04H	LNA	Código de control Lock Non-Addressable mode (Bloquear modalidad no-direccionable).
18H	UDC	Universal Device Clear (Dispositivo Libre Universal).

Antes de poder leer una respuesta del instrumento, éste debe direccionarse para hablar enviando el código de control Dirección Hablar, 14H (TAD), seguido por un carácter único que posea los 5 bits inferiores que corresponden a la dirección única del instrumento requerido, como para el código de control Dirección Escuchar, de arriba. Una vez direccionado para hablar, el instrumento enviará el mensaje de respuesta que posee, si procede, y después saldrá del estado de dirección hablar. Sólo un mensaje de respuesta será enviado cada vez que el instrumento esté direccionado para hablar.

La modalidad Hablar será cancelada al recibir cualquiera de los códigos de control de interfaz siguientes:

12H	LAD	Listen Address (Dirección Escuchar) para cualquier instrumento.
-----	-----	---

14H	TAD	Talk Address (Dirección Hablar) seguida por una dirección que no le pertenece al instrumento.
03H	UNA	Código de control Universal Unaddress (Indireccional Universal).
04H	LNA	Código de control Lock Non-Addressable mode (Bloquear modalidad no-direccionable).
18H	UDC	Universal Device Clear (Dispositivo Libre Universal).

La modalidad Hablar se cancelará también cuando el instrumento haya terminado de enviar un mensaje de respuesta o no tenga que decir.

El código de interfaz 0AH (LF) es el Terminador de Comando y respuesta Universal (UCT); éste debe ser el último código enviado en todo comando y será el último enviado en toda respuesta.

El código de interfaz 0DH (CR) puede usarse según se requiera para ayudar en el formateo de comandos; será ignorado por todos los instrumentos. La mayoría de los instrumentos terminará las respuestas con CR seguido por LF.

El código de interfaz 13H (XOFF) puede ser enviado en cualquier momento por un oyente (instrumento o controlador) para suspender la salida de un hablante. El oyente debe enviar 11H (XON) antes de que el hablante pueda reanudar el envío. Este es la única forma de control de acuso de conexión apoyada por ARC.

Lista de Códigos de Control del Interfaz

02H	SAM	Set Addressable mode (Establecer modalidad direccionable).
03H	UNA	Código de control Universal Unaddress (Indireccional Universal)
04H	LNA	Código de control Lock Non-Addressable mode (Bloquear modalidad no-direccionable)
06H	ACK	Acknowledge (Confirmar) recibo de la dirección escuchar

0AH	UCT	Universal Command and response Terminator (Terminador de Comando y respuesta Universal)
0DH	CR	Código de formateo (ignorado).
11H	XON	Reiniciar transmisión.
12H	LAD	Listen Address (Dirección Escuchar) - debe seguirse por una dirección perteneciente al instrumento requerido.
13H	XOFF	Finalizar transmisión.
14H	TAD	Talk Address (Dirección Hablar) - debe seguirse por una dirección perteneciente al instrumento requerido.
18H	UDC	Universal Device Clear (Dispositivo Libre Universal).

Formatos de Comando TF830

La entrada en serie al instrumento es almacenada intermedicamente en una cola de entradas que se llena, bajo interrupción, de una manera transparente a todas las otras operaciones del instrumento. El instrumento enviará XOFF cuando hayan aproximadamente 8 caracteres en la cola. XON será enviado cuando la cola se haya vaciado. Esta cola contiene datos brutos (sin analizar) que son cogidos por el analizador según se requiere. Los comandos (y las interrogaciones) son ejecutados en orden y el analizador no comenzará un comando nuevo hasta haber completado el comando o interrogación anterior. No hay una cola de salidas lo cual significa que el formateador de respuestas tendrá que esperar, indefinitivamente si fuera necesario, hasta que el instrumento este direccionado para hablar y el mensaje de respuesta completo haya sido enviado. Debido a que la cola de entradas es muy corta en el TF830, es esencial leer la respuesta a cualquier interrogación antes de enviar comandos o interrogaciones nuevas. Esto asegurará que no ocurra un estado de parálisis (donde la cola de entrada está llena y el TF830 no la vacía porque está esperando enviar una respuesta).

Los comandos se envían como <PROGRAM MESSAGES (MENSAJES DE PROGRAMA)> por el controlador, cada mensaje consiste en cero o más elementos de <PROGRAM MESSAGE UNIT (UNIDAD DE MENSAJE DE PRO-

GRAMA)> separados por elementos <PROGRAM MESSAGE UNIT SEPARATOR (SEPARADOR DE UNIDADES DE MENSAJE DE PROGRAMA)>.

Los <PROGRAM MESSAGES> están separados por elementos <PROGRAM MESSAGE TERMINATOR (TERMINADOR DE MENSAJE DE PROGRAMA)> que consisten en el carácter de línea nueva (0AH).

El <PROGRAM MESSAGE UNIT SEPARATOR> es el carácter de punto y coma ';' (3BH).

El <PROGRAM MESSAGE UNIT> es cualquiera de los comandos en las secciones a continuación.

Las respuestas del instrumento al controlador se envían como <RESPONSE MESSAGES (MENSAJES DE RESPUESTA)>. Un <RESPONSE MESSAGE> consiste en un <RESPONSE MESSAGE UNIT (UNIDAD DE MENSAJE DE RESPUESTA)> seguido por un <RESPONSE MESSAGE TERMINATOR (TERMINADOR DE MENSAJE DE RESPUESTA)>.

Un <RESPONSE MESSAGE TERMINATOR> es el carácter de retorno de carro seguido por el carácter de línea nueva (0DH 0AH). El carácter CR de retorno de carro es optativo y puede no ser enviado por todos los instrumentos.

Cada interrogación produce un mensaje <RESPONSE MESSAGE> específico que está listado junto al comando en las secciones subsiguientes.

El <WHITE SPACE (ESPACIO BLANCO)> se ignora excepto en los identificadores de comando, por ej. 'X Z' no es equivalente a 'XZ'. <WHITE SPACE> se define como códigos de caracteres de 00H hasta 20H inclusive con la excepción de los códigos de interfaz de ARC que figuran arriba.

El bit superior de los caracteres es ignorado.

Los comandos son insensibles a las mayúsculas o minúsculas. Las secciones de comando utilizan la nomenclatura a continuación:

<pmt>	<PROGRAM MESSAGE TERMINATOR>.
<rmt>	<RESPONSE MESSAGE TERMINATOR>.
<n>	Dígito numérico único.
<nrf>	Un número en cualquier formato p.ej. 12, 12.00, 1.2 e1 y 120 e-1 son aceptados como el número 12. Todo número, al ser recibido, se

convierte a la precisión requerida consistente con su uso y se redondea para obtener el valor del comando.

<nr1> Un número sin parte fraccional, o sea un íntegro.

<nr2> Un número con forma de coma fija, p. ej. 11.52, 0.78 etc.

OPERACION REMOTA / LOCAL DEL TF830

Al ser conectado, el instrumento estará en el estado local con el REMOTE LED (Led Remoto) apagado. En este estado todas las operaciones del panel delantero son posibles. Cuando el instrumento esté direccionado para escuchar y se envíe un comando, se entrará en el estado remoto y el REMOTE LED se encenderá. En este estado el panel delantero estará bloqueado y sólo se procesarán comandos remotos. El instrumento puede retornarse al estado local apretando el botón RESET (Restaurar) y presionando el botón RANGE (Rango); el efecto de esta acción será mantenido solamente hasta que el instrumento sea direccionado nuevamente o hasta que reciba otro carácter del interfaz ARC, cuando se entrará en el estado remoto otra vez.

COMANDOS REMOTOS DEL TF830

Debido al uso de un microcontrolador de 4 bits, el analizador de comandos emplea solamente los 4 bits inferiores de los caracteres enviados por el interfaz en serie. Esto significa que muchas combinaciones de caracteres serán aceptadas para cada comando. Abajo se da una sola combinación y ésta es una de las más obvias. Por ejemplo, el comando RESET es R<pmt> pero 2<pmt> o b<pmt> también funcionarán. El valor sexagesimal dado con cada comando es el código de 4 bits que se pasa al analizador. Los 8 bits de los caracteres de control son significativos y no tienen alternativas. Las respuestas del TF830 están formateadas correctamente como códigos de caracteres ASCII de 8 bits, y están terminadas con CR/LF.

Nótese que cada comando se termina de ejecutar antes de iniciar el comando siguiente.

Carácter **SPACE** (Espacio) (0h) Ninguna operación.

El comando es ignorado

R (2h) **Reset (Restaurar).**

Cumple la misma operación que al apretar el botón RESET del panel delantero bajo las mismas condiciones.

S? (3h Fh) **Status Query (Interrogación de Estado).**

Lee y retorna el estado del instrumento. La respuesta se envía inmediatamente si en la modalidad no-direccionable, o cuando direccionado para hablar, si en la modalidad direccionable. La respuesta es:-

xy<rmt>

Donde x e y son dígitos numéricos expresados en formato ASCII. El primer dígito es un valor de bit significativo en el rango de 0 a 7. El significado de cada bit es como a continuación:-

- bit 0 Piloto externo conectado.
- bit 1 Ha ocurrido un error. El número de error sigue.
- bit 2 Disparado. Un bit continuamente actualizado que indica que una señal de entrada ha sido detectada. En frecuencias inferiores a 20Hz este bit puede bascular y por lo tanto no dará una indicación segura de la condición disparada.

El segundo byte contiene el número de error del último error ocurrido. El valor retorna a cero después de cada interrogación de estado. Los números de errores son como sigue:-

- 0 No ha ocurrido un error desde la última interrogación de estado.
- 1 Un error de sintaxis del comando- uno o más comandos ignorados.
- 2 Falta un terminador- comando ignorado.

TC (4h 3h) **Nivel de Disparo a la posición del centro.**

TN (4h Eh) **Nivel de Disparo a la posición de pulso negativo.**

TP (4h 0h) **Nivel de Disparo a la posición de pulso positivo.**

Este grupo de comandos se usa para fijar el nivel de disparo en una de las tres posiciones prefijadas. El centro es equivalente al control de nivel de disparo en la posición media. Los pulsos negativos y positivos son equivalentes a las posiciones extremas antihoraria y horaria respecti-

vamente del control de nivel de disparo. Para mayor información sobre el nivel de disparo referirse a la sección de Control de Nivel de Disparo. El nivel de disparo está fijado independientemente de la posición del control del panel delantero. Al entrar en el estado remoto por primera vez el nivel de disparo está fijado en el centro. Cuando el estado remoto se libera, el nivel de disparo se revierte a la posición de control del panel delantero.

- E?** (5h Fh) **Every Result Query**
(Interrogación sobre Cada Resultado).
- N?** (Eh, Fh) **Next Result Query**
(Interrogación sobre el Resultado Siguiente).
- ?** (Fh) **Current Result Query**
(Interrogación sobre el Resultado Corriente).

Este grupo de comandos retorna los resultados de las mediciones al controlador. La respuesta es enviada inmediatamente si en la modalidad no-direccionable, o cuando direccionado para hablar, si en la modalidad direccionable. La forma ? retorna los contenidos de la visualización cuando se recibe la interrogación. La forma N? espera a que se termine la medición en progreso y luego retorna los contenidos de la visualización. La forma E? es semejante a la forma N? excepto que los contenidos de la visualización se retornan después de cada medición hasta que se ingrese un comando nuevo en la cola de entrada. En la modalidad no direccionable las respuestas son enviadas continuamente. En la modalidad direccionable una respuesta es enviada cada vez que el TF830 este direccionado para hablar. La 'dirección para hablar' es la que selecciona cual es la 'medición en progreso' y así la lectura retornada está tan actualizada como es posible.

El formato de la respuesta es el mismo para todas las formas de interrogación y es como sigue:-

xNNNNN.NNNeSEuu<rmt>

donde:-

- x es el dígito de desbordamiento (si es cero se manda un espacio).
- NN.NN es la respuesta visualizada con la coma decimal en su posición correspondiente (9 caracteres).

- e es la letra e para exponentes.
- S es el signo más o menos indicando el signo del exponente.
- E es el valor del exponente dando la respuesta en Hz o segundos (1 carácter)
- uu es el especificador de unidades Hz o s_ o_ . Cada _ es un espacio (2 caracteres).
- <rmt> es el terminador crlf.

Si no hay nada que medir y la visualización es cero, la respuesta será:-
00000000.e+0<rmt>

F<n> (6h 1h-7h) **Function (Función) n.**

Fija la función de medición al número <n>. Las funciones están numeradas de 1 a 7 de izquierda a derecha según aparecen en el panel delantero. Así F1 seleccionará PERIOD A, F2 seleccionará FREQUENCY A etc. La nueva función es seleccionada inmediatamente y una nueva medición es iniciada.

- FI** (6h 9h) **Filter In (on). (Filtro conectado).**
- FO** (6h Fh) **Filter Out (off). (Filtro desconectado).**

Fija el filtro para bajas frecuencias en posición conectada o desconectada. El filtro se fija independientemente de la posición del interruptor del panel delantero. Cuando se entra en el estado remoto por primera vez el filtro se fija al estado correspondiente a la posición del interruptor. Cuando el estado remoto es liberado el filtro se revierte a la posición del interruptor del panel delantero.

I? (9h Fh) **Identify Query. (Identificar Interrogación).**

Responde con el identificador del instrumento. La respuesta es enviada de inmediato si en la modalidad no-direccionable, o cuando direccionado para hablar, si en la modalidad direccionable. La respuesta es:-

TF830<rmt>

- L** (Ch) **Low Frequency mode**
(Modalidad de Baja Frecuencia).

Fija la modalidad VLF según se describe en la sección de la Modalidad VLF.

M<n> (Dh 1h-3h) Measurement Time n
(Tiempo de Medición n).

Selecciona como tiempo de medición al número <n>. Los tiempos de mediciones están numerados de 1 a 3 de izquierda a derecha según aparecen en el panel delantero. Así M1 seleccionará 1s, M2 seleccionará 1s y M3 seleccionará 10s. El nuevo tiempo de medición se selecciona inmediatamente y una nueva medición es iniciada.

Resumen de Comandos Remotos

R (2h) Restaurar.
S? (3h Fh) Interrogación de Estado.
TC (4h 3h) Nivel de impulso a la posición del centro.
TN (4h Eh) Nivel de impulso a la posición de pulso negativo.
TP (4h 0h) Nivel de impulso a la posición de pulso positivo.
E? (5h Fh) Interrogación sobre Cada Resultado.
N? (Eh, Fh) Interrogación sobre el Resultado Siguiendo.
? (Fh) Interrogación sobre el Resultado Corriente.
F<n> (6h 1h-7h) Función n.
FI (6h 9h) Filtro conectado.
FO (6h Fh) Filtro desconectado.
I? (9h Fh) Identificar Interrogación).
L (Ch) Modalidad de Baja Frecuencia.
M<n> (Dh 1h-3h) Tiempo de Medición n.
Carácter **SPACE** (Espacio) (0h) Ninguna operación.



Thurlby Thandar Instruments Ltd
Glebe Road, Huntingdon, Cambridgeshire PE29 7DR, England
Telephone: (44) 01480 412451 Fax: (44) 01480 450409
e mail: sales@tti-test.com web site: www.tti-test.com

Book Part No. 48581-1050 Issue 1